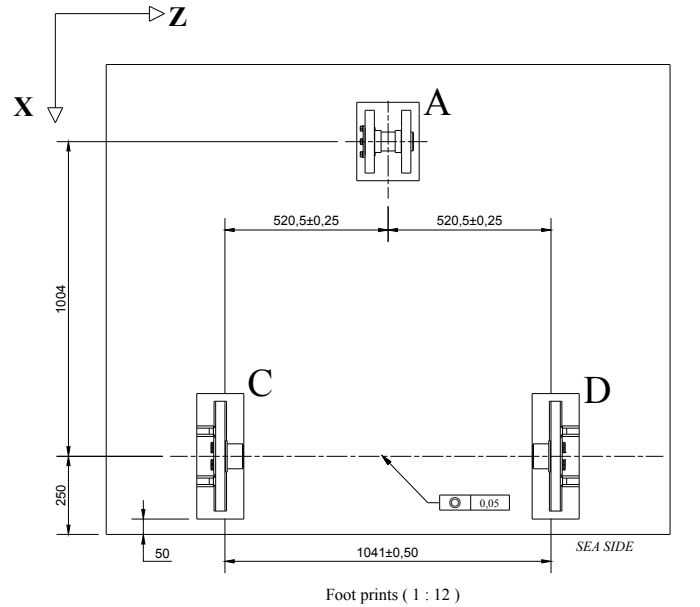
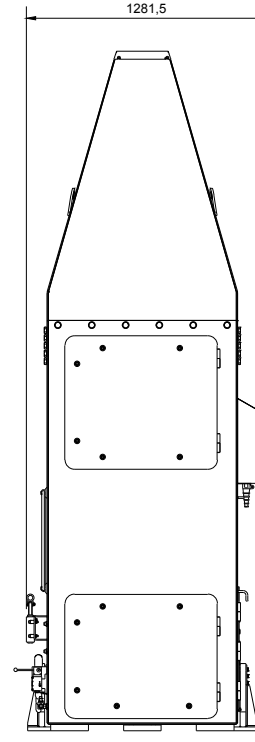
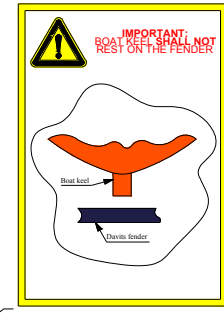
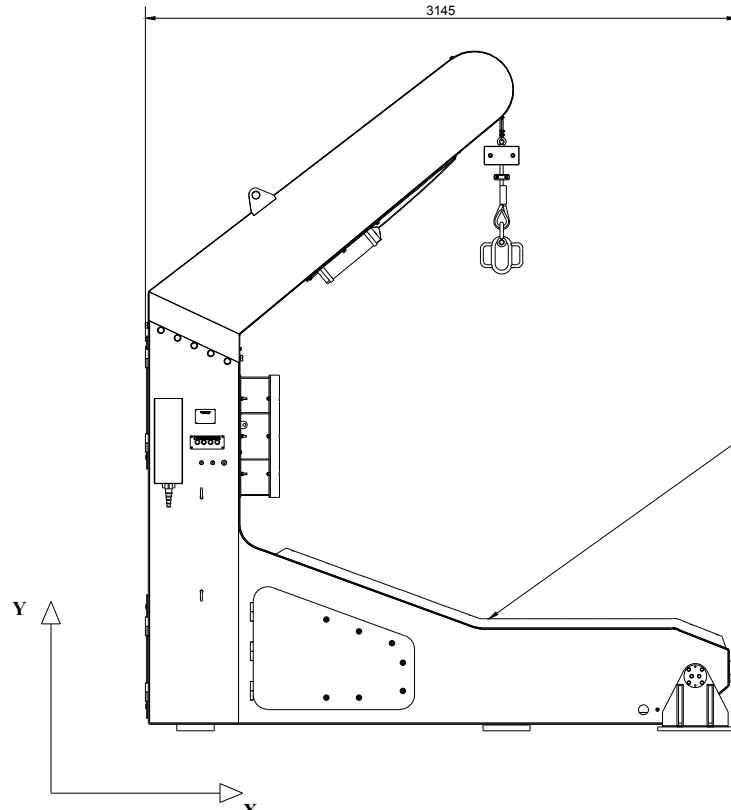
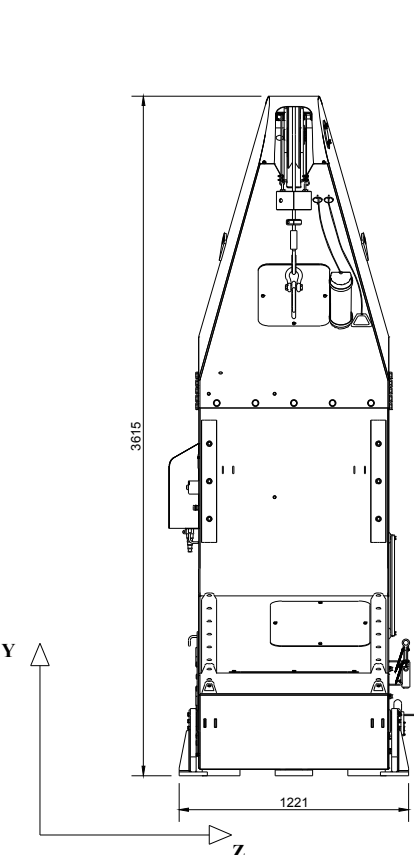
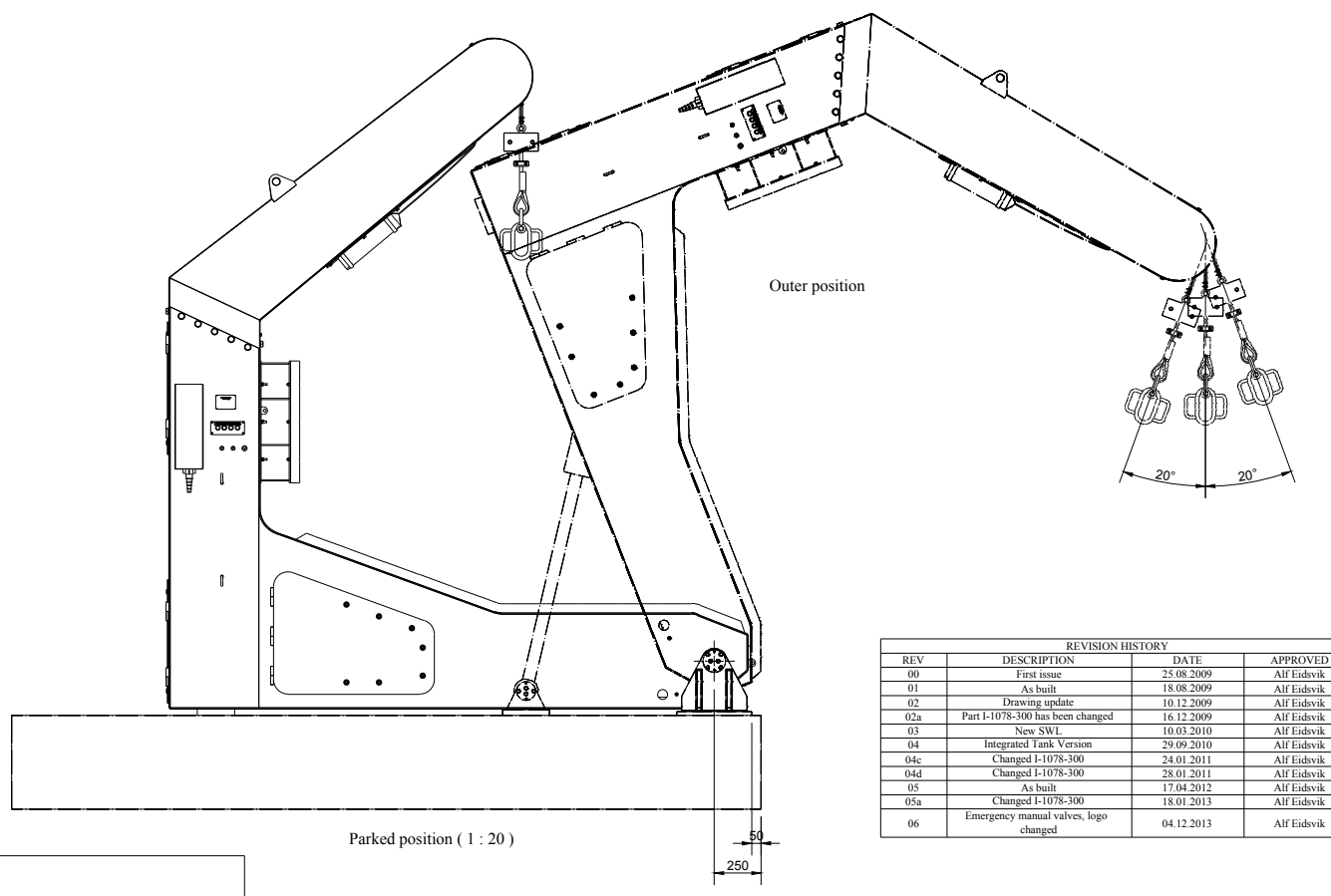
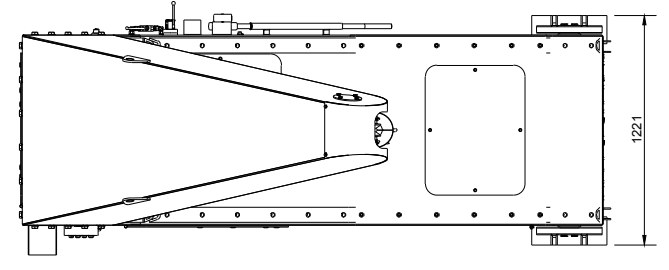
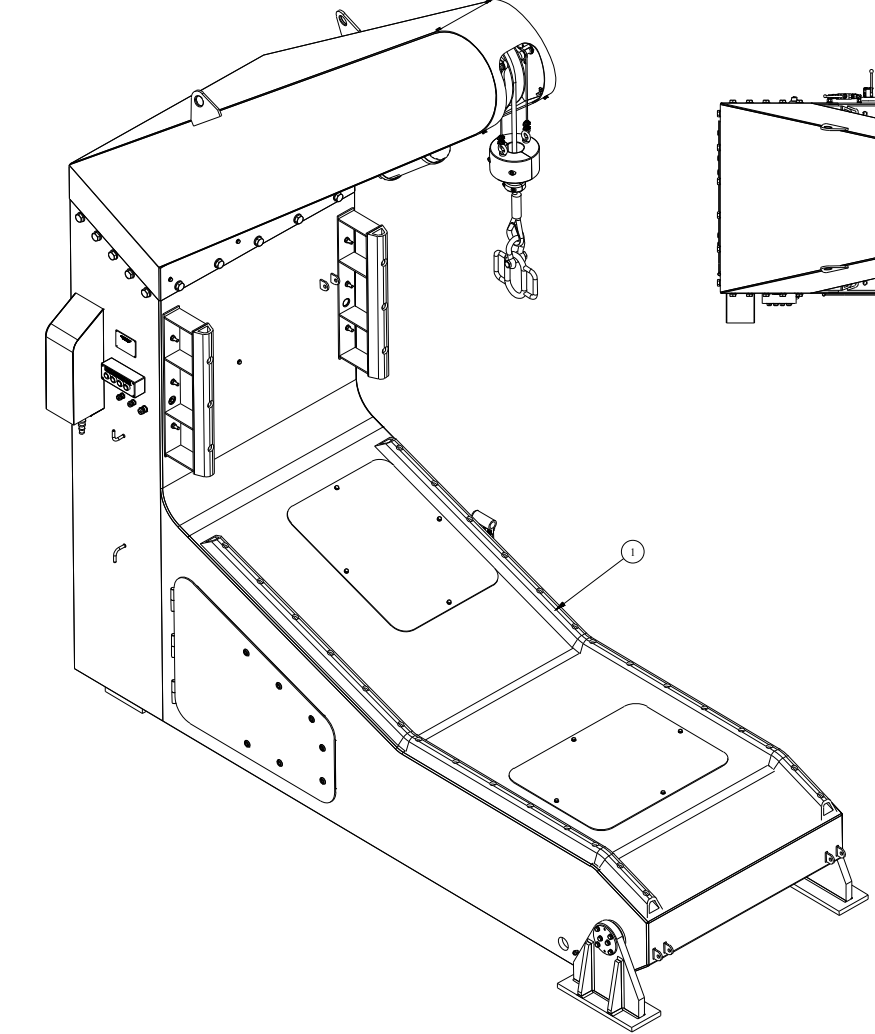


12 11 10 9 8 7 6 5 4 3 2 1



FORCE ON DECK (kN) (WITHOUT SAFETY FACTOR)												
	Ax	Ay	Az	Bx	By	Bz	Cx	Cy	Cz	Dx	Dy	Dz
Davit inboard -20' roll / 10deg trim	207,3	-97,9	±12	-	-	-	-140,8	55,7	±18,3	-88,8	-22,4	±18,3
Davit outboard 20' roll / 10deg trim	33	141	±12	-	-	-	20,7	-60,7	±18,3	-31,8	-132	±18,3



REVISION HISTORY			
REV	DESCRIPTION	DATE	APPROVED
00	First issue	25.08.2009	Alf Eidsvik
01	As built	18.08.2009	Alf Eidsvik
02	Drawing update	10.12.2009	Alf Eidsvik
02a	Part I-1078-300 has been changed	16.12.2009	Alf Eidsvik
03	New SWL	10.03.2010	Alf Eidsvik
04	Integrated Tank Version	29.09.2010	Alf Eidsvik
04c	Changed I-1078-300	24.01.2011	Alf Eidsvik
04d	Changed I-1078-300	28.01.2011	Alf Eidsvik
05	As built	17.04.2012	Alf Eidsvik
05a	Changed I-1078-300	18.01.2013	Alf Eidsvik
06	Emergency manual valves, logo changed	04.12.2013	Alf Eidsvik

NPDS 3500H	
SWL :	3200 kg
Hoisting/lowering speed :	18 m/min (or specified)
Dead ship lowering speed :	S = 0,4 + (0,02H)
Design spec. :	10 deg. trim, 20 deg. list simultaneously
Winch type :	NW 3200H
Shock Absorber :	At request
Wave compensation :	At request
Operation :	Remote control

REV	ITEM	QTY	PART NUMBER	DESCRIPTION	MATERIAL	MASS
This drawing is our property. It can't be reproduced or communicated without our written agreement.						
DRAWN BY: Bogdan Yevchuk CHECKED BY: Arne Haugland APPROVED BY: Alf Eidsvik DATE: 25.06.2012				DRAWING TITLE: General arrangement NPDS 3500H DRAWING NUMBER: I-1078-000 FILE NAME: I-1078-000_Only Davit SCALE: 1:20 SHEET SIZE: A1 SHEET NO.: 1		

12 11 10 9 8 7 6 5 4 3 2 1