

# PALFINGER



## LIFTGATES

---

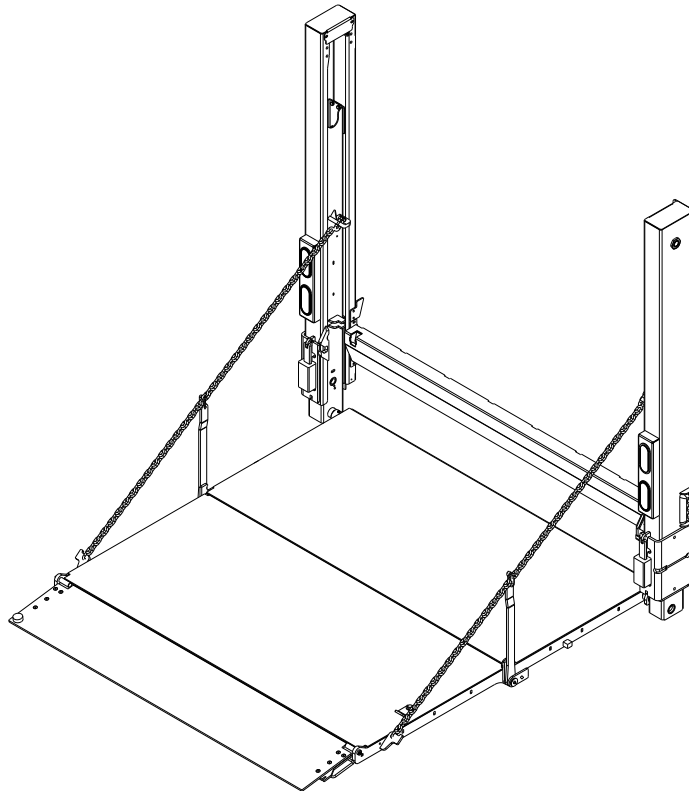
### PARTS MANUAL

**ILD+ 35, 3500 lbs. Capacity**

**ILD+ 44, 4400 lbs. Capacity**

**ILD+ 55, 5500 lbs. Capacity**

**ILD+ 66, 6600 lbs. Capacity**



**ILD+ 35/44/55/66 Parts Manual**

**Document Part Number: 90-1114-000 / 14-680\_90-00\_00-00**

**ECN-M1167, Rev. 1.12, 03-15-18**

**Copyright © 2018 Palfinger Liftgates LLC.**

**All Rights Reserved.**

**Information in this document is subject to change without notice.**

**Visit [www.palfinger.com](http://www.palfinger.com) for up to date information and notifications.**



**Palfinger Liftgates, LLC.**

**15939 Piuma Ave.**

**Cerritos, CA 90703**

**Tel (888) 774-5844**

**Fax (562) 924-8318**



**Palfinger Liftgates, LLC.**

**572 Whitehead Road.**

**Trenton, NJ 08619**

**Tel (609) 587-4200**

**Fax (609) 587-4201**

---

## ***Built to Deliver - Every Time***

### **Parts Orders:**

- There is a \$50.00 minimum parts order.
- Ground freight is free for spare parts orders exceeding \$1,500.00, excluding platforms, runners, mount frames and other main assemblies.
- Contact parts department, our hours are from 8 am EST in NJ until 5 pm PST in CA
- California: (888) 774-5844, or (562)924-8218, ext. 97, 29 , or 15; Fax: (562) 924-8318.  
New Jersey: at (609) 587-4200; Fax: (609) 587-4201.  
E-mail orders or inquires for both locations to: [liftgateparts@palfinger.com](mailto:liftgateparts@palfinger.com)
- Next Day Air shipments must be received by 2:30 pm local time at either location.
- To ensure quick delivery when placing an order, please be sure to include: liftgate model, serial number, part number, and description in accordance with spare Parts List.
- Any parts being returned must have Return Merchandise Authorization (RMA) number, copy of invoice and a detailed packing list of returned parts. RMA numbers will be issued by parts department and are valid for 30 days. All returned RMA parts must be returned to Palfinger Liftgates by prepaid freight or by call tag.
- Parts must be returned in NEW CONDITION. To receive credit on returned parts, the original purchase date must be within 6 month and authorized by Palfinger Liftgates.
- Returned parts are subject to a 20% restocking charge.
- Any part received not in new condition will be subject to inspection and possible refusal. All Palfinger Liftgates parts are covered for one year from date of purchase against defects in material and workmanship.
- **Warranty Coverage: part replacement only.**

***Built to Deliver - Every Time***

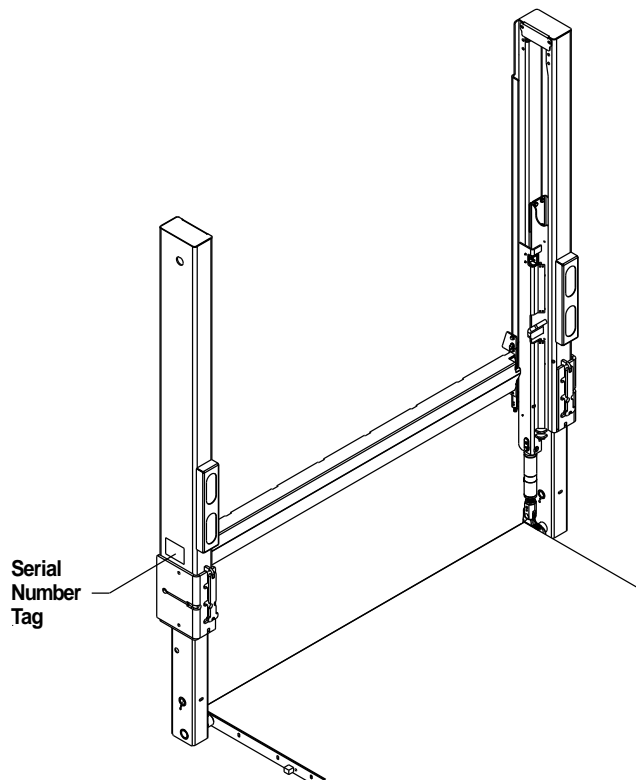
**Important Liftgate Information:**

1. Liftgate serial information can be found on the driver side column. Please have the liftgate information ready when ordering parts to assure parts are replaced accurately.
2. The finish for many parts differs from liftgate to liftgate. It is important to specify what type of finish the replacement part(s) has. Palifinger Liftgates uses galvanized, galvanealed, power coat, paint, and zinc coated components on the different models of liftgates. If not sure what finish is on the part(s), mention this to the Parts Department Representative.

**Serial Number Tags**

<b>PALFINGER</b>		
(888) 774-5844		CERRITOS, CA. TRENTON, N.J.
Model	Serial No.	Date
<input type="text"/>	<input type="text"/>	<input type="text"/>

<b>PALFINGER</b>		
Model		
Serial Number		
Year		



Palfinger Liftgates, LLC.  
 15939 Piuma Ave, Cerritos, CA 90703  
 Tel: (888) 774-5844, Fax: (562) 924-8318

Palfinger Liftgates, LLC.  
 572 Whitehead Road, Trenton, NJ 08619  
 Tel: (609) 587-4200, Fax: (609) 587-4201

***Built to Deliver - Every Time***

**Table of Contents**

1 Columns ..... 6

2 Bolt-On Kit ..... 8

3 Store Below Kit ..... 9

4 Foot Step Kit ..... 10

5 Dock Seal Header Kits..... 11

    5.1.1 Dock Seal Header Kit (Prior 2017)..... 11

    5.1.2 Dock Seal Header Kit (After 2017)..... 12

6 Steel Platform with Fixed Ramp ..... 14

7 Steel Platform with Aluminum Retension Ramp (ARR) ..... 16

8 Aluminum Platform with Fixed Ramp..... 18

9 Aluminum Platform with Aluminum Retension Ramp (ARR)..... 20

10 Cart Stops - Aluminum Platforms..... 22

11 Aluminum Platform Side Bars ..... 23

12 Aluminum Retention Ramp (ARR)..... 24

13 ILD BG (Bottle Gas) Ramp ..... 25

14 Auto Cart Stop ..... 26

15 Cylinders ..... 28

16 Cylinder Hoses ..... 30

17 Hose and Switch Kit ..... 31

18 Hose Guard Kit ..... 32

19 Hose and Hardware Kit ..... 33

20 Battery Box ..... 34

21 Pump and Motor - Primary Pump (After March 2018) ..... 36

22 Pump and Motor – Secondary Pump (After March 2018)..... 38

23 Pump and Motor - Single Pump (Prior 2018) ..... 40

24 Pump and Motor - Dual Pump (Prior 2018) ..... 41

25 Hydraulic Hose Kits..... 42

26 Trailer/Truck Charge Kits..... 44

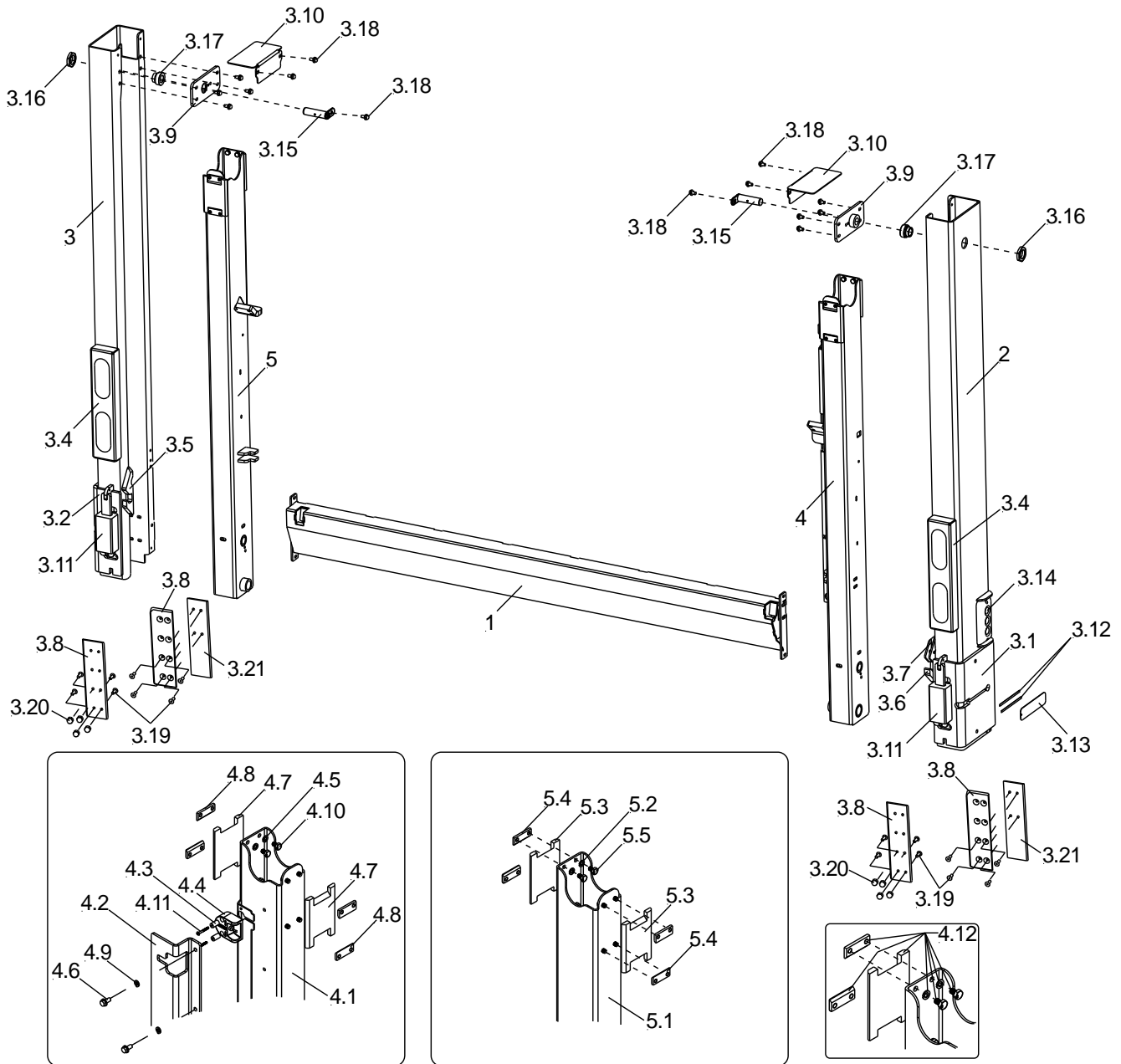
27 Light Kits..... 46

28 Controls..... 48

29 Decals..... 50

**Built to Deliver - Every Time**

**1 Columns**



Palfinger Liftgates, LLC.  
15939 Piuma Ave, Cerritos, CA 90703  
Tel: (888) 774-5844, Fax: (562) 924-8318

Palfinger Liftgates, LLC.  
572 Whitehead Road, Trenton, NJ 08619  
Tel: (609) 587-4200, Fax: (609) 587-4201

**Built to Deliver - Every Time**

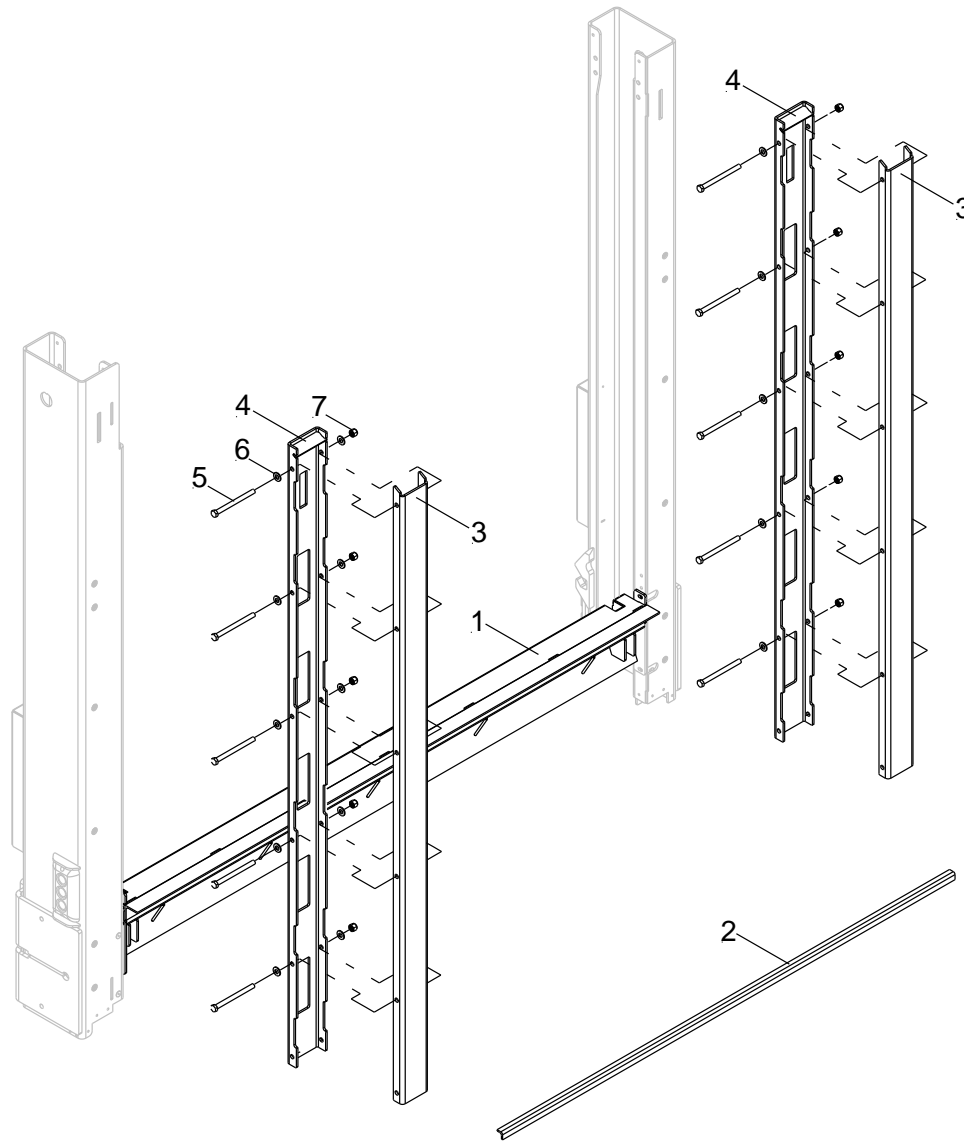
1 - COLUMNS			
NO.	DESCRIPTION	PART NO.	QTY.
1	Traverse, 102" Wide	04-1108-100	1
	Traverse, 96" Wide	04-1108-200	1
2	Column, Curb Side, Assembly, Standard	02-1113-250	1
	Column, Curb Side, Assembly, 2-Pc Platform Latch	02-1108-100	1
	Column, Curb Side, Assembly, Bottle Gas Latch	01-1113-200	1
	Column, Curb Side, Assembly, W/Swing Latch Clevis	02-1111-550	1
3	Column, Street Side, Assembly, Standard	02-1113-150	1
	Column, Street Side, Assembly, 2-Pc Platform Latch	02-1108-200	1
	Column, Street Side, Assembly, Bottle Gas Latch	01-1113-100	1
	Column, Street Side, Assembly, W/Swing Latch Clevis	02-1111-650	1
3.1	Dock Bumper, Curb Side	02-1110-200	1
3.2	Dock Bumper, Street Side	02-1110-300	1
3.4	Tail Light, Housing	02-1108-105	1
3.5	Travel Latch, Street Side	02-1108-301	1
3.6	Travel Latch, Curb Side	02-1108-302	1
3.7	Slide Travel Latch	02-1108-303	1
3.8	Slide Pad, Lower	60-1111-113	4
3.9	Bracket, Pin, Cylinder Top, Weldment	65-1108-200	2
3.10	Cover	65-1108-301	2
3.11	Bumper, Nylon	02-1110-501	2
3.12	Tape, Double Sided (For 3.13)	EZ6097	4
3.13	Plate, Led Cable Cover	02-1110-204	2
3.14	Control, 3-Button, Flush Mount	2020653	1
3.15	Pin, M28x153mm	2003653	2
3.16	Nut, M38x2mm	67265408	2
3.17	Pin Bearing	2014809	2
3.18	Hex Head Cap Screw, 3/8-16x1.5", Gr. 5, Zinc	ES3504	4
3.19	Flat Head Screw, 3/8-16x1" Gr.5, Zinc	ES3452	8
3.20	Nut, Acorn, 3/8-16	EM 673	8
3.21	Plate, Nut, Column, Slide Pad	65-1108-101	2
4	Runner Assembly, For 1-Piece Platform, Curb Side	03-1113-120	1
	Runner Assembly, For 2-Piece Platform, Curb Side	03-1112-220	1
	Runner Assembly, Bottle Gas, Curb Side	03-1113-200	1
4.1	Runner Weldment	03-1112-200	1
4.2	Bolt-On Hose Guard	03-1112-201	5
4.3	Spacer, 0.5"OD, 0.192" ID	99-8813-067	2
4.4	Toggle Switch	2004565	1
4.5	M10 Split Lock Washer	EK2740	5
4.6	Bolt Thread Rolling, 3/8-16x0.75" Zinc	ES3453	5
4.7	Slide Pad, Upper	60-1111-114	2
4.8	Nut Plate, Runner Pad	2014812	4
4.9	Washer, 3/8", Splitlock	EK3238	5
4.10	Bolt, M10-1.5x16mm	ES3665	8
4.11	Button Head Cap Screw, 10-24 X 1-1/2", Zinc	ES3470	1
4.12	Kit, Upper Slide Pads, With Hardware, Black	60-1111-114A	2
5	Runner Assembly, For 1-Piece Platform, Street Side	03-1110-120	1
	Runner Assembly, For 2-Piece Platform, Street Side	03-1108-120	1
	Runner Assembly, Bottle Gas, Street Side	03-1113-100	1
5.1	Runner Weldment	03-1108-100	1
5.2	M10 Split Lock Washer	EK2740	8
5.3	Slide Pad, Upper	60-1111-114	2
5.4	Nut Plate, Runner Pad	2014812	4
5.5	Bolt, M10-1.5x16mm	ES3665	4

Palfinger Liftgates, LLC.  
15939 Piuma Ave, Cerritos, CA 90703  
Tel: (888) 774-5844, Fax: (562) 924-8318

Palfinger Liftgates, LLC.  
572 Whitehead Road, Trenton, NJ 08619  
Tel: (609) 587-4200, Fax: (609) 587-4201

**Built to Deliver - Every Time**

**2 Bolt-On Kit**



2 – BOLT-ON KIT			
NO.	DESCRIPTION	PART NO.	QTY.
1	Traverse, Weldment, 96"W	65-1113-400	1
	Traverse, Weldment, 102"W	65-1113-500	1
2	Traverse Support, 1"X1"X80", Steel	65-1113-003	1
	Traverse Support, 1"X1"X80", Stainless	65-1113-004	1
3	Bolt-On Bracket, Weld To Vehicle, Steel	65-1113-001	2
	Bolt-On Bracket, Weld To Vehicle, Stainless	65-1113-002	2
4	Bolt On Bracket, Weld To Liftgate, Steel	65-1113-600	2
5	Hex Head Cap Screw; 1/2-13x6"; Gr.8	ES3737	10
6	Washer, Flat	EK2795	20
7	Nut, Nylock, 1/2-13	EM 689	10

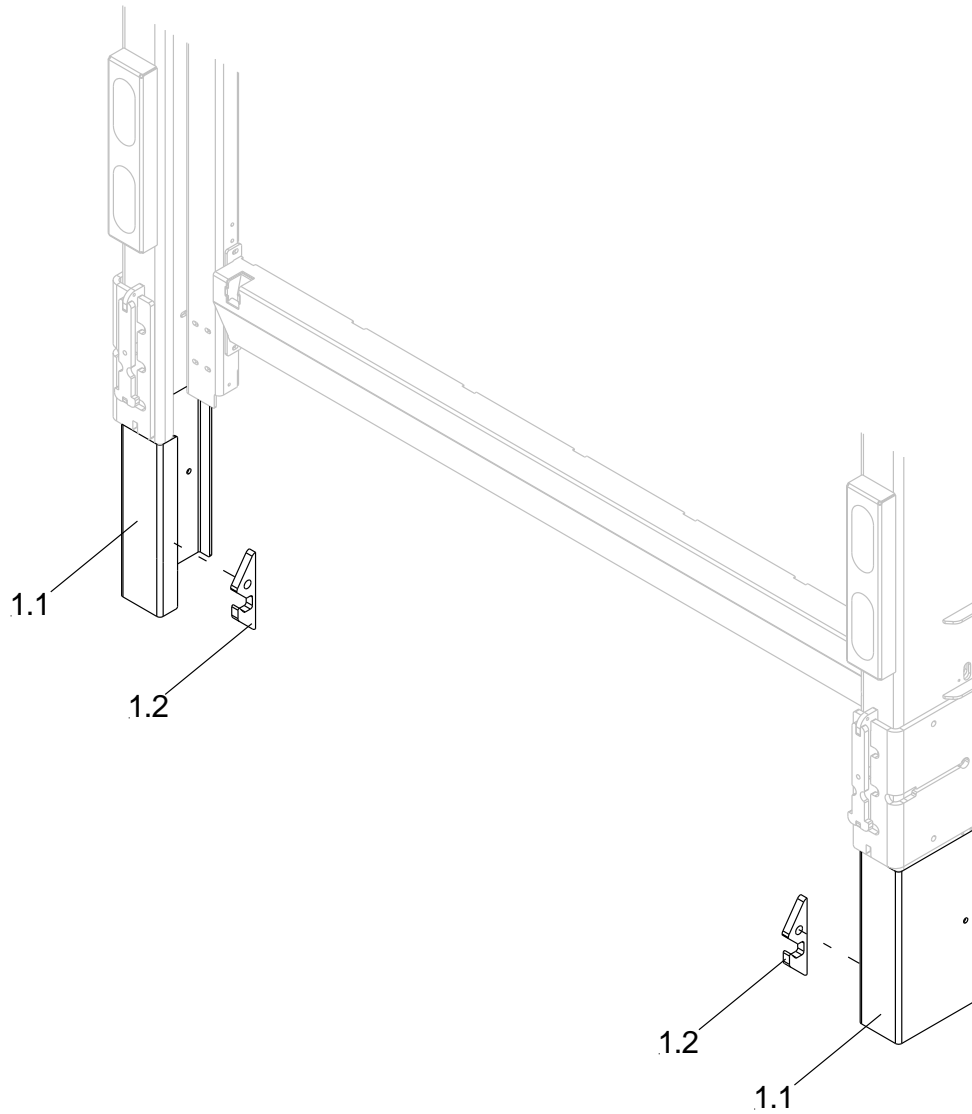
Palfinger Liftgates, LLC.  
 15939 Piuma Ave, Cerritos, CA 90703  
 Tel: (888) 774-5844, Fax: (562) 924-8318

Palfinger Liftgates, LLC.  
 572 Whitehead Road, Trenton, NJ 08619  
 Tel: (609) 587-4200, Fax: (609) 587-4201



**Built to Deliver - Every Time**

**3 Store Below Kit**



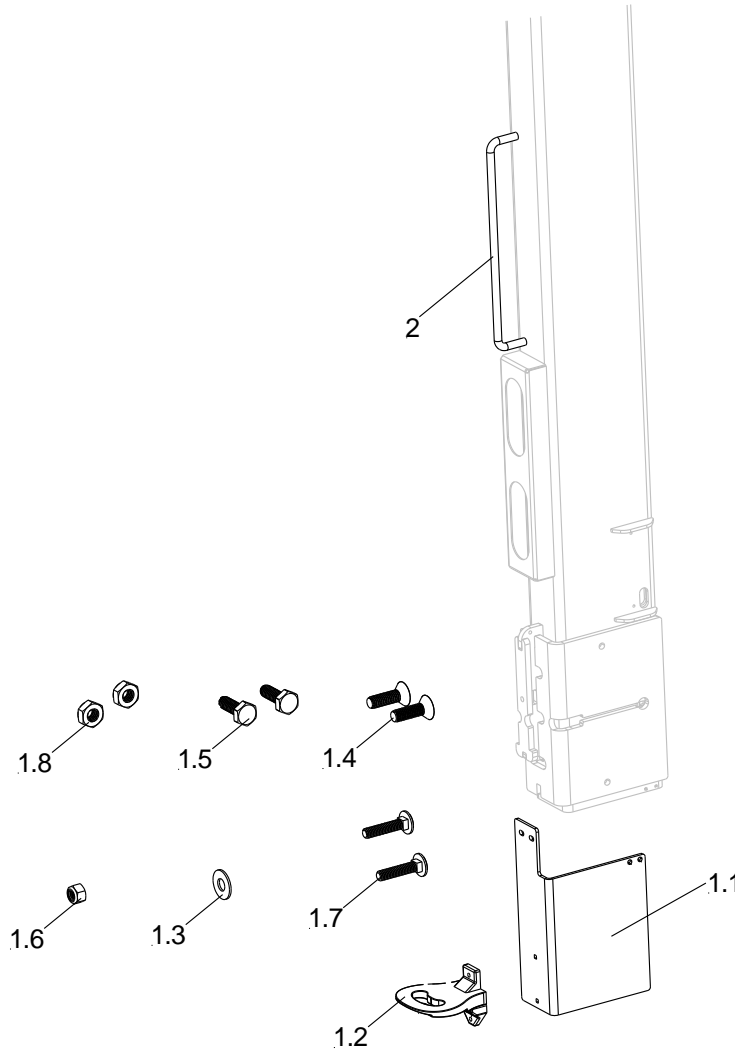
3 – STORE BELOW KIT			
NO.	DESCRIPTION	PART NO.	QTY.
1	KIT, STORE BELOW	02-1112-000	1
1.1	Column Extensions	02-1112-001	2
1.2	Travel Latch Hooks	02-1113-109	2

Palfinger Liftgates, LLC.  
 15939 Piuma Ave, Cerritos, CA 90703  
 Tel: (888) 774-5844, Fax: (562) 924-8318

Palfinger Liftgates, LLC.  
 572 Whitehead Road, Trenton, NJ 08619  
 Tel: (609) 587-4200, Fax: (609) 587-4201

**Built to Deliver - Every Time**

**4 Foot Step Kit**



4 - FOOT STEP KIT			
NO.	DESCRIPTION	PART NO.	QTY.
1	Kit, Foot Step	60-1114-004	1
1.1	Foot Step Mount Plate	60-1114-003	1
1.2	Foot Step	60-1114-005	1
1.3	Washer, Flat, 5/16"	99-8813-050	2
1.4	Flat Head Cap Screw, 3/8-16 X1.25"	99-8813-077	2
1.5	Hex Head Cap Screw, 1/4-20x3/4"	99-8813-101	2
1.6	Nut, Nylock, 5/16-18"	1030122	2
1.7	Carriage Bolt, 5/16"-18 X 1.5"	ES3419	2
1.8	Nut, Nylock 1/4-20 Zinc	ES3420	2
2	Grab Handle	60-1114-002	1

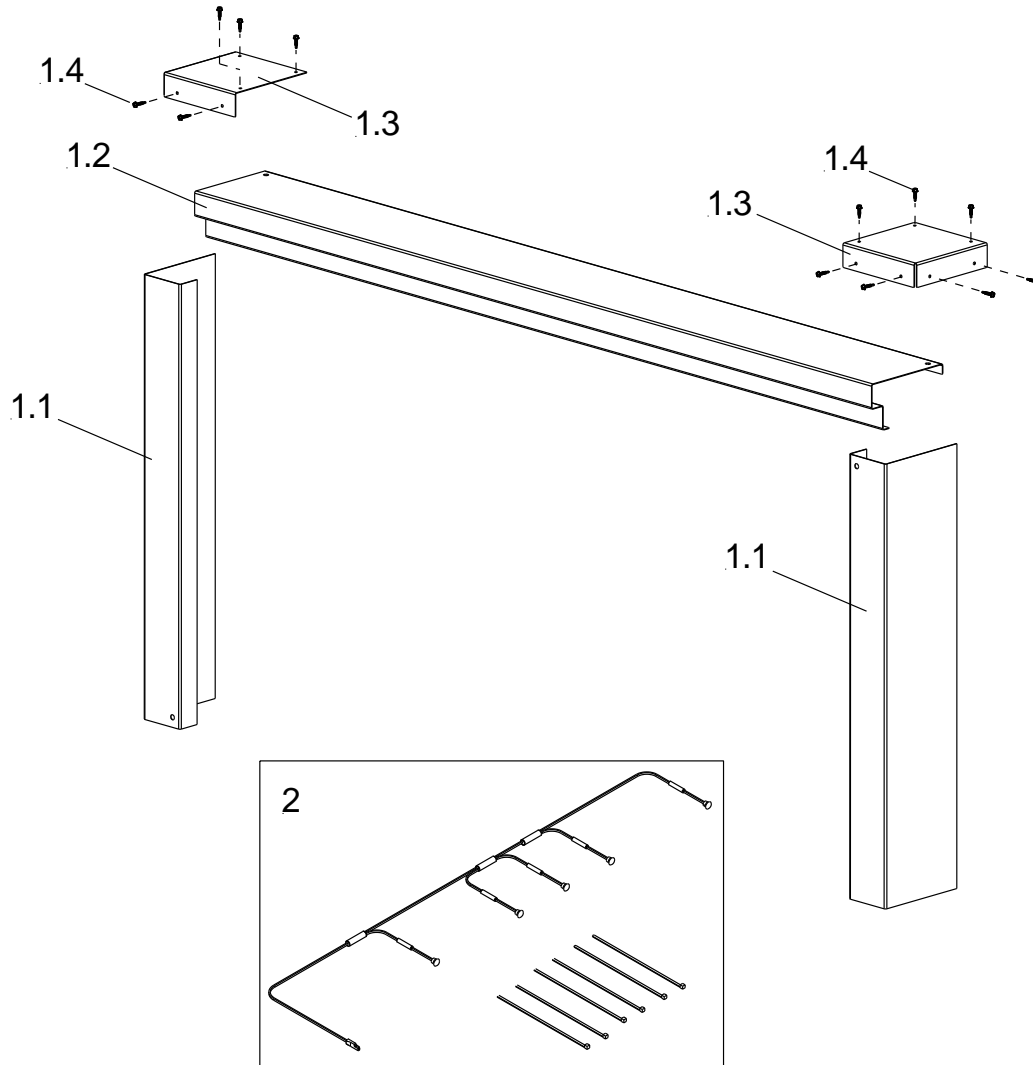
Palfinger Liftgates, LLC.  
 15939 Piuma Ave, Cerritos, CA 90703  
 Tel: (888) 774-5844, Fax: (562) 924-8318

Palfinger Liftgates, LLC.  
 572 Whitehead Road, Trenton, NJ 08619  
 Tel: (609) 587-4200, Fax: (609) 587-4201

**Built to Deliver - Every Time**

**5 Dock Seal Header Kits**

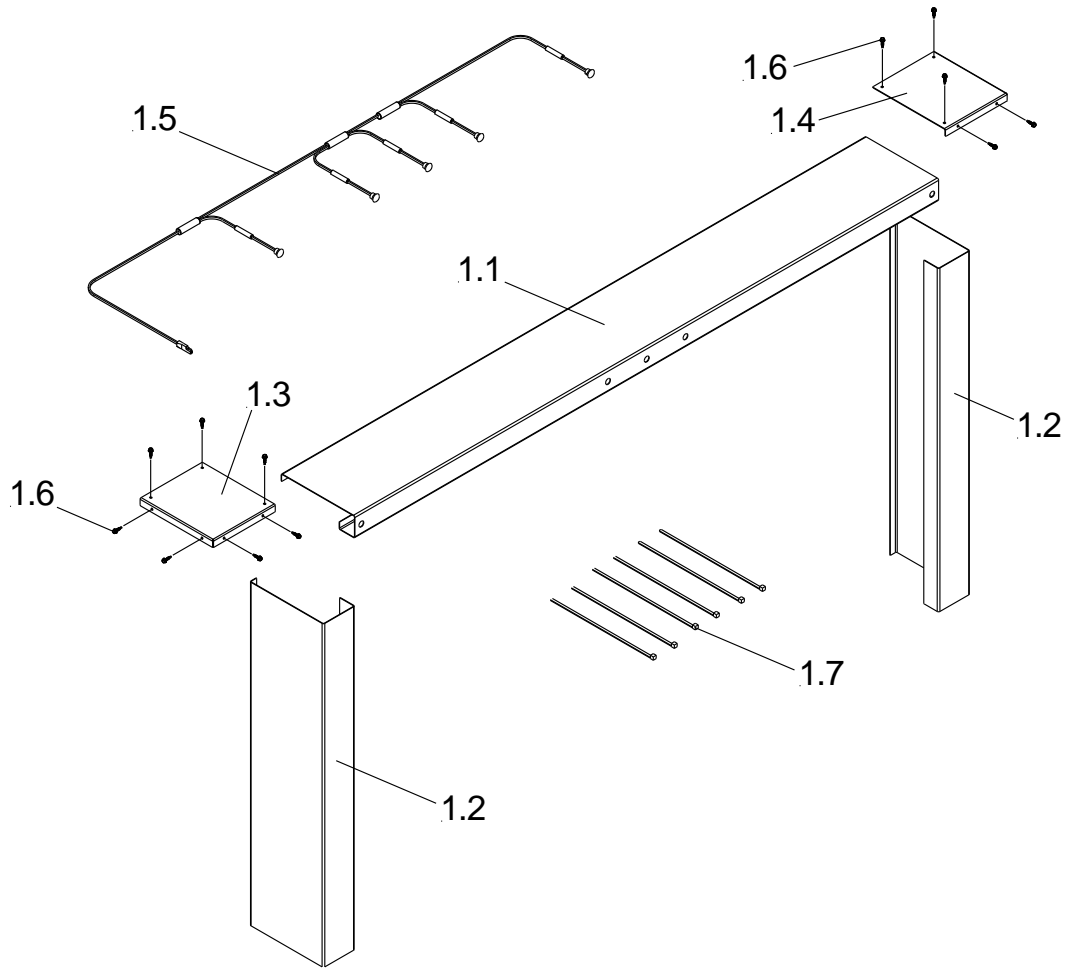
**5.1.1 Dock Seal Header Kit (Prior 2017)**



5.1.1 – DOCK SEAL HEADER KIT - PRIOR 2017			
NO.	DESCRIPTION	PART NO.	QTY.
<b>1</b>	<b>Kit, Dock Seal Header, Weld-On (Prior 2017)</b>	60-1115-001	<b>1</b>
1.1	Channel, Column	60-1109-502	2
1.2	Channel, Top	60-1109-503	1
1.3	Cap, Column	60-1109-504	2
1.4	Screw, 1/4"X1", Self Drilling	ES3601	16
<b>2</b>	<b>Kit, 5-Led Light Harness, Red, Grommet, 3/4", 12v</b>	<b>70-8016-005</b>	<b>1</b>

**Built to Deliver - Every Time**

**5.1.2 Dock Seal Header Kit (After 2017)**



5.1.2 – DOCK SEAL HEADER KIT – AFTER 2017			
NO.	DESCRIPTION	PART NO.	QTY.
1	<b>Kit, Dock Seal Header, Bolt-On, 5-Led Harness (After 2017)</b>	<b>60-1116-000</b>	<b>1</b>
1.1	Channel, Top	60-1116-001	1
1.2	Channel, Column, Right/Left	60-1116-002	2
1.3	Cap, Column, Left Side	60-1116-004	1
1.4	Cap, Column, Right Side	60-1116-005	1
1.5	Harness, 5-Led, Red, Grommet, 3/4", 12v	70-7016-201	1
1.6	Screw, 1/4"X1", Self Drilling	ES3601	16
1.7	Zip Tie 175mm X 4mm	EZ6687	6

Palfinger Liftgates, LLC.  
 15939 Piuma Ave, Cerritos, CA 90703  
 Tel: (888) 774-5844, Fax: (562) 924-8318

Palfinger Liftgates, LLC.  
 572 Whitehead Road, Trenton, NJ 08619  
 Tel: (609) 587-4200, Fax: (609) 587-4201

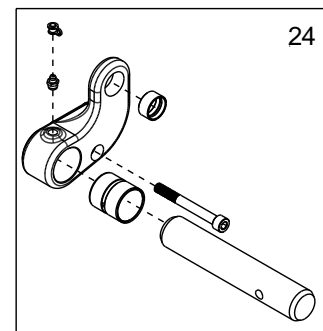
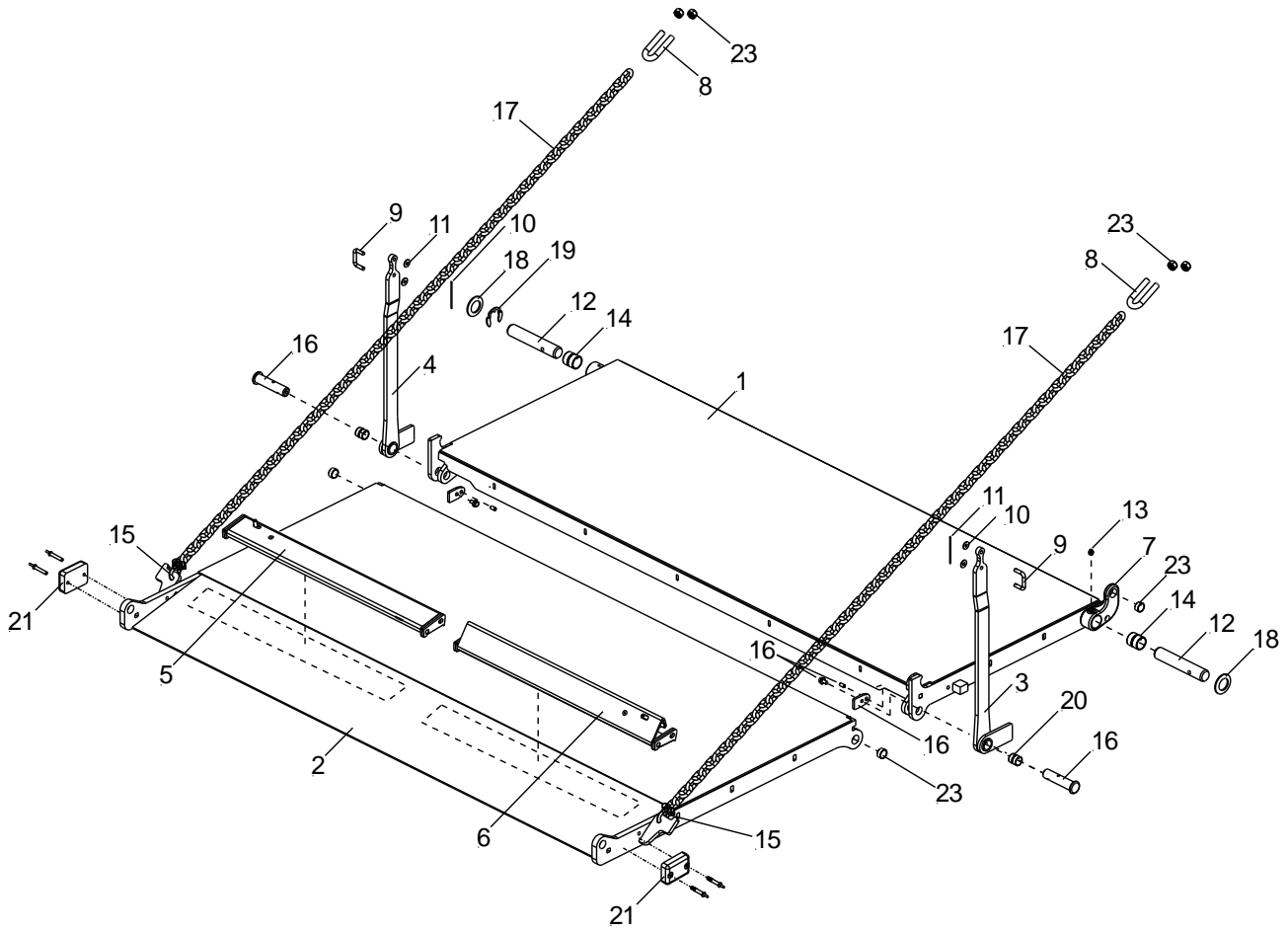
---

***Built to Deliver - Every Time***

**NOTES**

**Built to Deliver - Every Time**

**6 Steel Platform with Fixed Ramp**



Palfinger Liftgates, LLC.  
15939 Piuma Ave, Cerritos, CA 90703  
Tel: (888) 774-5844, Fax: (562) 924-8318

Palfinger Liftgates, LLC.  
572 Whitehead Road, Trenton, NJ 08619  
Tel: (609) 587-4200, Fax: (609) 587-4201

**Built to Deliver - Every Time**

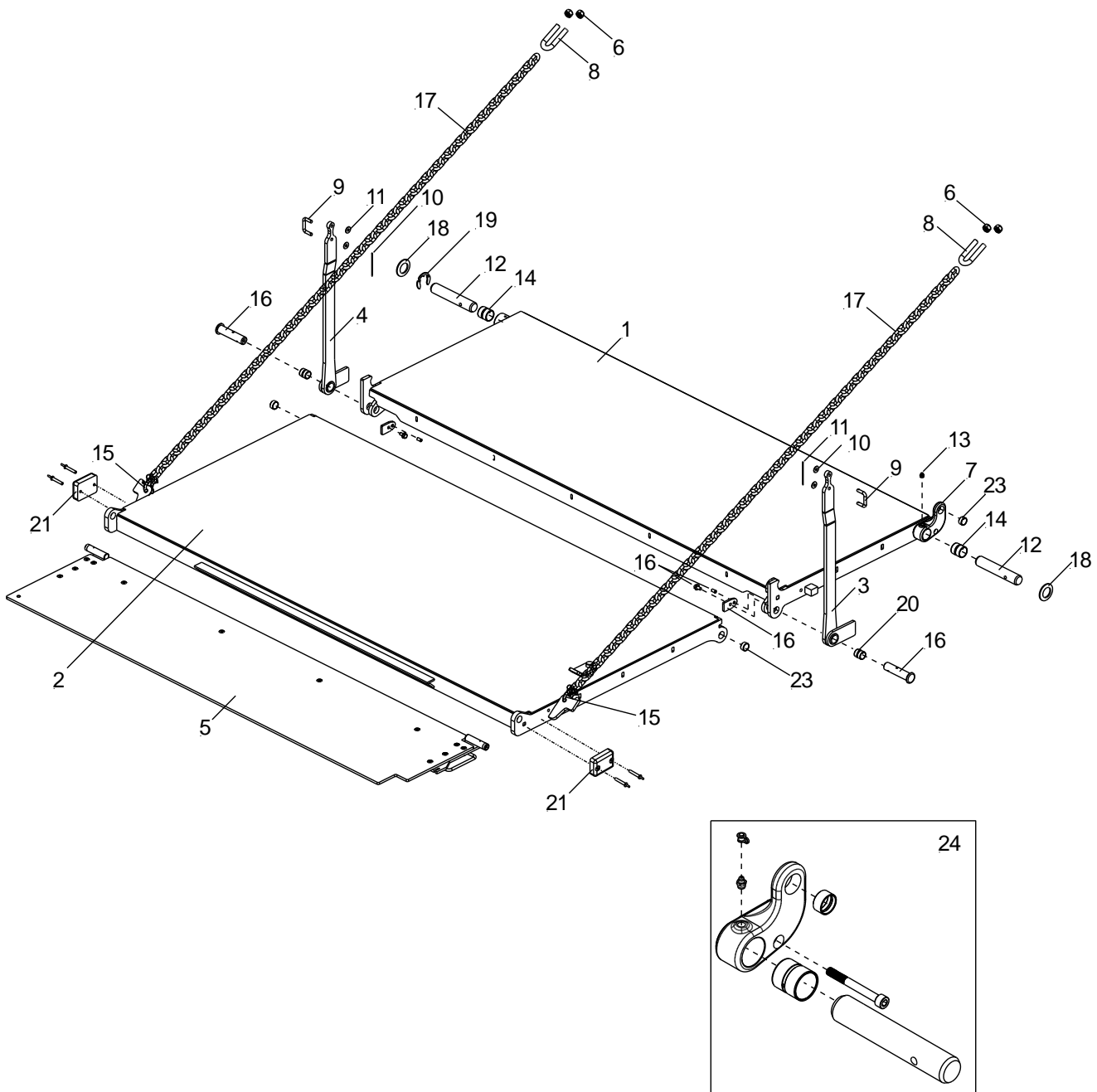
<b>6 – STEEL PLATFORM WITH FIXED RAMP</b>			
<b>NO.</b>	<b>DESCRIPTION</b>	<b>PART NO.</b>	<b>QTY.</b>
1	Main Section Assembly, Steel, 30"X96"W	21-1108-400	1
	Main Section Assembly, Steel, 30"X102"W	21-1108-300	1
	Main Section Assembly, Steel, 36"X96"W	21-1108-600	1
	Main Section Assembly, Steel, 36"X102"W	21-1108-500	1
	Main Section Assembly, Steel, 41"X96"W	21-1108-200	1
	Main Section Assembly, Steel, 41"X102"W	24-1113-800	1
	Main Section Assembly, Steel, Bottle Gas, Slotted, 96"W	24-1114-200	1
	Main Section Assembly, Steel, Bottle Gas, Slotted, 102"W	24-1114-300	1
	Main Section Assembly, Steel, Bottle Gas, 102"W	24-1113-600	1
	Main Section Assembly, Steel, Bottle Gas, 96"W	24-1113-800	1
2	Tip Section Assembly, Steel, 72"X80"+12", Cart Stops	22-1108-250	1
	Tip Section Assembly, Steel, 72"X70"+12", Cart Stops	22-1108-260	1
	Tip Section Assembly, Steel, 96w, Cart Stops	22-1108-800	1
	Tip Section Assembly, Steel, 96w	22-1108-810	1
	Tip Section Assembly, Steel, 102w	22-1108-210	1
	Tip Section Assembly, Steel, 102w, Cart Stops	22-1108-600	1
	Tip Section Assembly, Steel, 102w	22-1108-610	1
3	Chain Arm Assembly, Curb Side, 27.25"	20-1108-120	1
	Chain Arm Assembly, Curb Side, 60" Platform, 21.25"	20-1108-140	1
4	Chain Arm Assembly, Street Side, 27.25"	20-1108-130	1
	Chain Arm Assembly, Street Side, 60" Platform, 21.25"	20-1108-150	1
5	Cart Stop, Heavy Duty, Street Side	20-1108-500	1
	Cart Stop, Base Sub Assembly, Street Side	20-1108-510	1
6	Cart Stop, Heavy Duty, Curb Side	20-1108-520	1
	Cart Stop, Base Sub Assembly, Curb Side	20-1108-530	1
7	Open/Close Hub	21-1114-200	1
8	U-Bolt, 1/2"-13	99-1108-101	2
9	Chain Retainer, Bent U	20-1108-135	2
10	Washer, Flat, 3/8" Zinc	EK3216	4
11	Retainer Pin, Ø.110"X4", Stainless Steel	1474290	2
12	Pin, Ø36mm X 200MM, Column to Platform	2014690	2
13	Grease Zerk, M10x1	EA-005	1
14	BUSHING, 36MM I.D.X Ø40mmx41mm L	ELG1033	2
15	Shackle, Platform Chain	EZ6172	2
16	Kit, Pin, Hinge, Platform, Tip	20-1116-030	2
17	Chain, 3/8", Gr. 70, 84" Arr & 72" Fixed	99-8813-084	2
	Chain, 3/8", Gr. 70, 72" Arr & 60" Fixed	99-8813-085	2
	Chain, 3/8", Gr. 70, 60" Arr	99-8813-086	2
18	WASHER, Ø75mm OD X Ø38mm ID X 4.5MM	1111379	2
19	Kit, Platform Shim (Optional)	20-1115-001	1
20	Bushing, Ø29mm OD X 31mm X Ø25mm ID	1403365	2
21	<b>Kit, Clearance Light</b>	<b>70-1114-010</b>	<b>1</b>
21.2	Warning Light, Amber	70-1114-011	2
21.3	1/4" Drive Anchor	EK3321	4
21.4	Socket Head Cap Screw, M10x1.5x50mm	ES2087	4
22	<b>Kit, Quiet Chains</b>	<b>99-1114-000</b>	<b>1</b>
22.1	Rubber Sleeve, Ø1.25"X5.75"L	EZ6454	2
22.2	Rubber Sleeve, Ø1.25"X14.5"L	EZ6454	2
22.3	Rubber Sleeve, Ø1.25"X33.25"L	EZ6454	2
23	Bushing, Platform Tip, Ø28mm OD X 14mm X Ø25mm ID	ELG1034	2
24	Kit, Open/Close Hub, Pin, Hardware, Bushings	20-1114-001	1

Palfinger Liftgates, LLC.  
 15939 Piuma Ave, Cerritos, CA 90703  
 Tel: (888) 774-5844, Fax: (562) 924-8318

Palfinger Liftgates, LLC.  
 572 Whitehead Road, Trenton, NJ 08619  
 Tel: (609) 587-4200, Fax: (609) 587-4201

**Built to Deliver - Every Time**

**7 Steel Platform with Aluminum Retension Ramp (ARR)**



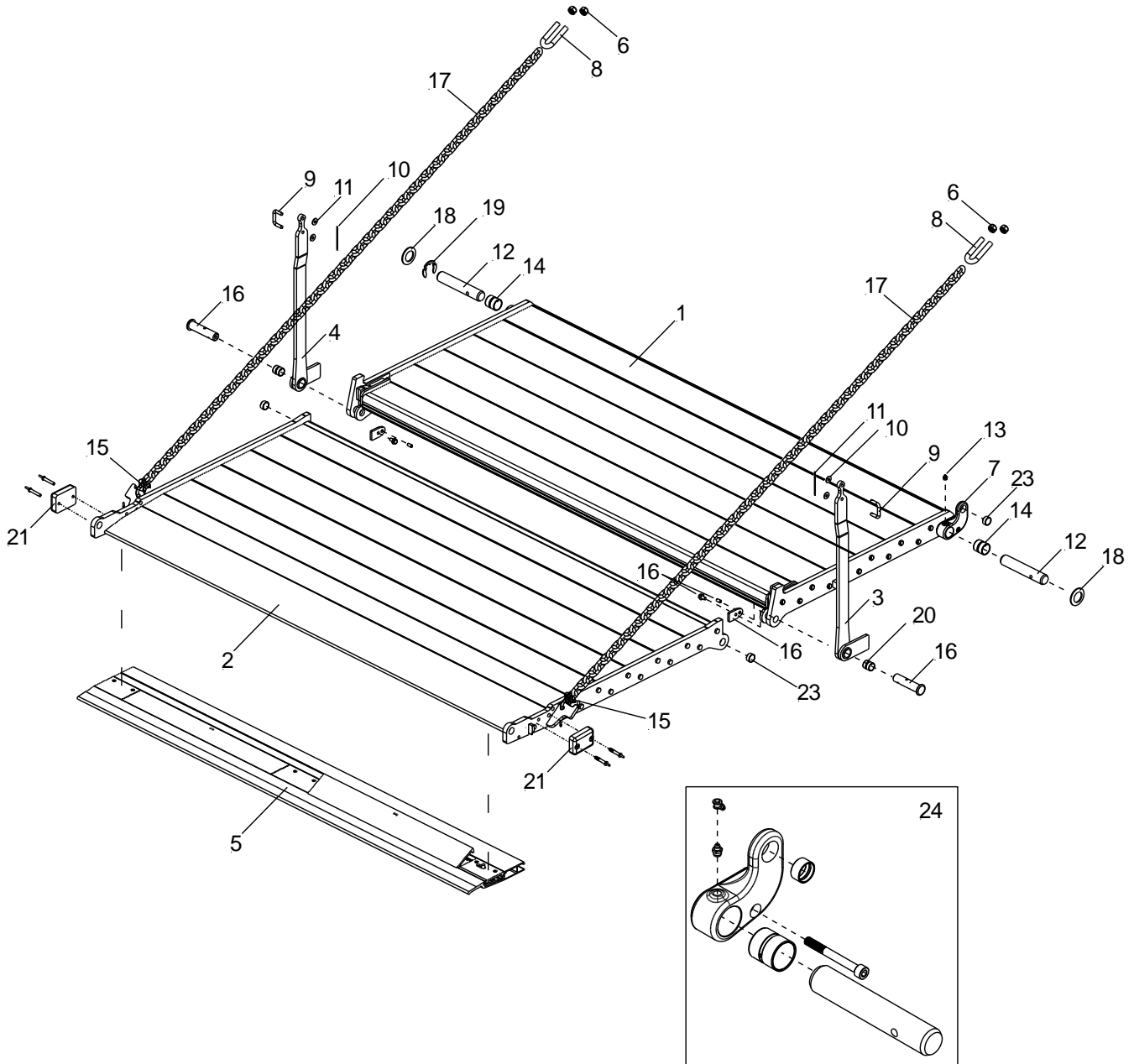


**Built to Deliver - Every Time**

<b>7 – STEEL PLATFORM WITH ALUMINUM RETENSION RAMP (ARR)</b>			
<b>NO.</b>	<b>DESCRIPTION</b>	<b>PART NO.</b>	<b>QTY.</b>
1	Main Section Assembly, Steel, 30"X96"	21-1108-400	1
	Main Section Assembly, Steel, 30"X102"	21-1108-300	1
	Main Section Assembly, Steel, 36"X96"	21-1108-600	1
	Main Section Assembly, Steel, 36"X102"	21-1108-500	1
	Main Section Assembly, Steel, 41"X96"	21-1108-200	1
	Main Section Assembly, Steel, 41"X102"	24-1113-800	1
2	Tip Section Assembly, Steel, Arr, 96w	22-1108-150	1
	Tip Section Assembly, Steel, Arr, 96w	22-1108-350	1
	Tip Section Assembly, Steel, Arr, 96w	22-1108-700	1
	Tip Section Assembly, Steel, Arr, 102w	22-1108-100	1
	Tip Section Assembly, Steel, Arr, 102w	22-1108-300	1
	Tip Section Assembly, Steel, Arr, 102w	22-1108-500	1
3	Chain Arm Assembly, Curb Side	20-1108-120	1
	Chain Arm Assembly, Curb Side, 60" Platform	20-1108-140	1
4	Chain Arm Assembly, Street Side	20-1108-130	1
	Chain Arm Assembly, Street Side, 60" Platform	20-1108-150	1
5	Kit, Aluminum Retention Ramp (Arr), 16" Arr, 96"W	23-1113-003	1
	Kit, Aluminum Retention Ramp (Arr), 20" Arr, 96"W	23-1115-102	1
	Kit, Aluminum Retention Ramp (Arr), 16" Arr, 102"W	23-1113-005	1
	Kit, Aluminum Retention Ramp (Arr), 20" Arr, 102"W	23-1115-100	1
6	Nut, Nylock, ½-13	EM 707	4
7	Open/Close Hub	21-1114-200	1
8	U Bolt, Chain	99-1108-101	2
9	Chain Retainer, Bent U	20-1108-135	2
10	Washer, Flat, 3/8" Zinc	EK3216	4
11	Retainer Pin, Ø.110"X4", Stainless Steel	1474290	2
12	Pin, Ø36mm X 200mm, Column To Platform	2014690	2
13	Grease Zerk, M10x1	EA-005	1
14	Bushing, 36mm ID x Ø40mm x 41mm L	ELG1033	2
15	Shackle, Platform Chain	EZ6172	2
16	Kit, Pin, Hinge, Platform, Tip	45-1111-111A	2
17	Chain, 3/8", Gr. 70, 84" Arr & 72" Fixed	99-8813-084	2
	Chain, 3/8", Gr. 70, 72" Arr & 60" Fixed	99-8813-085	2
	Chain, 3/8", Gr. 70, 60" Arr	99-8813-086	2
18	Washer, Ø75mm OD X Ø38mm ID X 4.5mm	1111379	2
19	Kit, Platform Shim (Optional)	20-1115-001	1
20	Bushing, Ø29mm OD X 31MM X Ø25mm ID	1403365	2
21	<b>Kit, Clearance Light</b>	<b>70-1114-010</b>	<b>1</b>
21.2	Warning Light, Amber	70-1114-011	2
21.3	1/4" Drive Anchor	EK3321	4
21.4	Socket Head Cap Screw, M10x1.5x50mm	ES2087	4
22	<b>Kit, Quiet Chains</b>	<b>99-1114-000</b>	<b>1</b>
22.1	Rubber Sleeve, Ø1.25"X5.75"L	EZ6454	2
22.2	Rubber Sleeve, Ø1.25"X14.5"L	EZ6454	2
22.3	Rubber Sleeve, Ø1.25"X33.25"L	EZ6454	2
23	Bushing, Platform Tip, Ø28mm OD X 14mm X Ø25mm ID	ELG1034	2
24	Kit, Open/Close Hub, Pin, Hardware, Bushings	20-1114-001	1

**Built to Deliver - Every Time**

**8 Aluminum Platform with Fixed Ramp**



Palfinger Liftgates, LLC.  
15939 Piuma Ave, Cerritos, CA 90703  
Tel: (888) 774-5844, Fax: (562) 924-8318

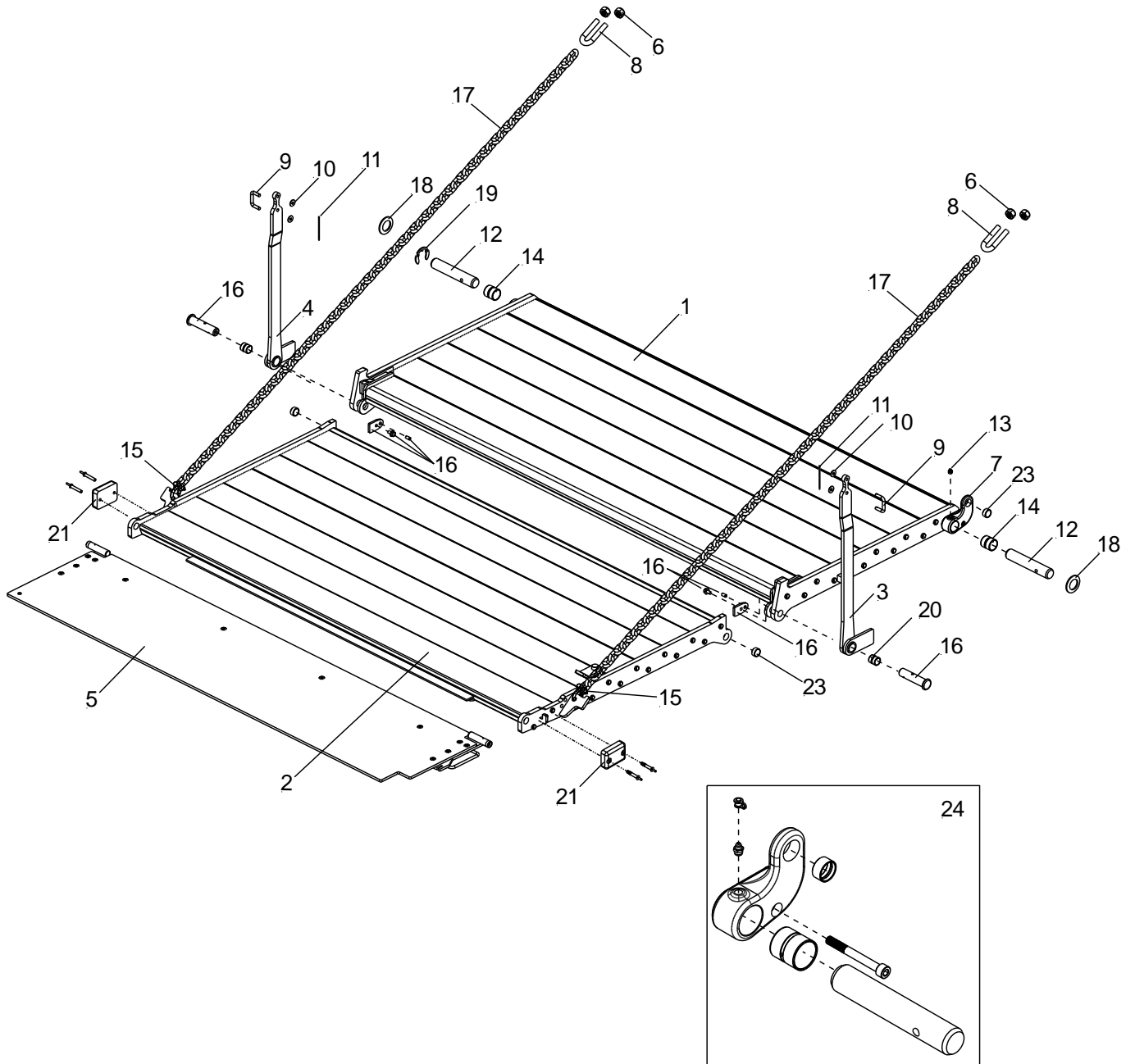
Palfinger Liftgates, LLC.  
572 Whitehead Road, Trenton, NJ 08619  
Tel: (609) 587-4200, Fax: (609) 587-4201

**Built to Deliver - Every Time**

<b>8 – ALUMINUM PLATFORM WITH FIXED RAMP</b>			
<b>NO.</b>	<b>DESCRIPTION</b>	<b>PART NO.</b>	<b>QTY.</b>
1	Main Section Assembly, Aluminum, 42" X 102"W	21-1109-110	1
	Main Section Assembly, Aluminum, 42" X 96"W	21-1109-210	1
	Main Section Assembly, Aluminum, 30" X 102"W	21-1109-310	1
	Main Section Assembly, Aluminum, 30" X 96"W	21-1109-410	1
	Main Section Assembly, Aluminum, 36" X 102"W	21-1109-510	1
	Main Section Assembly, Aluminum, 36" X 96"W	21-1109-610	1
2	Tip Section Assembly, Aluminum, 72"+12" Cart Stop, 102"W	22-1109-210	1
	Tip Section Assembly, Aluminum, 72"+12", 102"W	22-1109-220	1
	Tip Section Assembly, Aluminum, 72"+12", 96"W	22-1109-240	1
	Tip Section Assembly, Aluminum, 60"+12", Cart Stop, 102"W	22-1109-610	1
	Tip Section Assembly, Aluminum, 60"+12", 102"W	22-1109-620	1
3	Chain Arm Assembly, Curb Side	20-1108-120	1
	Chain Arm Assembly, Curb Side, 60" Platform	20-1108-140	1
4	Chain Arm Assembly, Street Side	20-1108-130	1
	Chain Arm Assembly, Street Side, 60" Platform	20-1108-150	1
5	Cart Stop Assembly, 2x 800mm, 12" L X 79"W	22-0314-018	1
6	Nut, Nylock, ½-13	EM 707	4
7	Open/Close Hub	21-1114-200	1
8	U Bolt, Chain	99-1108-101	2
9	Chain Retainer, Bent U	20-1108-135	2
10	Washer, Flat, 3/8" Zinc	EK3216	4
11	Retainer Pin, Ø.110"X4", Stainless Steel	1474290	2
12	Pin, Ø36mm X 200mm, Column to Platform	2014690	2
13	Grease Zerk, M10x1	EA-005	1
14	Bushing, 36mm ID x Ø40mm x 41mm L	ELG1033	2
15	Shackle, Platform Chain	EZ6172	2
16	Kit, Pin, Hinge, Platform, Tip	45-1111-111A	2
17	Chain, 3/8", Gr. 70, 84" Arr & 72" Fixed	99-8813-084	2
	Chain, 3/8", Gr. 70, 72" Arr & 60" Fixed	99-8813-085	2
	Chain, 3/8", Gr. 70, 60" Arr	99-8813-086	2
18	Washer, Ø75mm OD X Ø38mm ID X 4.5MM	1111379	2
19	Kit, Platform Shim (Optional)	20-1115-001	1
20	Bushing, Ø29mm OD X 31mm X Ø25mm ID	1403365	2
21	<b>Kit, Clearance Light</b>	<b>70-1114-010</b>	<b>1</b>
21.2	Warning Light, Amber	70-1114-011	2
21.3	1/4" Drive Anchor	EK3321	4
21.4	Socket Head Cap Screw, M10x1.5x50mm	ES2087	4
22	<b>Kit, Quiet Chains</b>	<b>99-1114-000</b>	<b>1</b>
22.1	Rubber Sleeve, Ø1.25"X5.75"L	EZ6454	2
22.2	Rubber Sleeve, Ø1.25"X14.5"L	EZ6454	2
22.3	Rubber Sleeve, Ø1.25"X33.25"L	EZ6454	2
23	Bushing, Platform Tip, Ø28mm OD X 14mm X Ø25mm ID	ELG1034	2
24	Kit, Open/Close Hub, Pin, Hardware, Bushings	20-1114-001	1

**Built to Deliver - Every Time**

**9 Aluminum Platform with Aluminum Retension Ramp (ARR)**

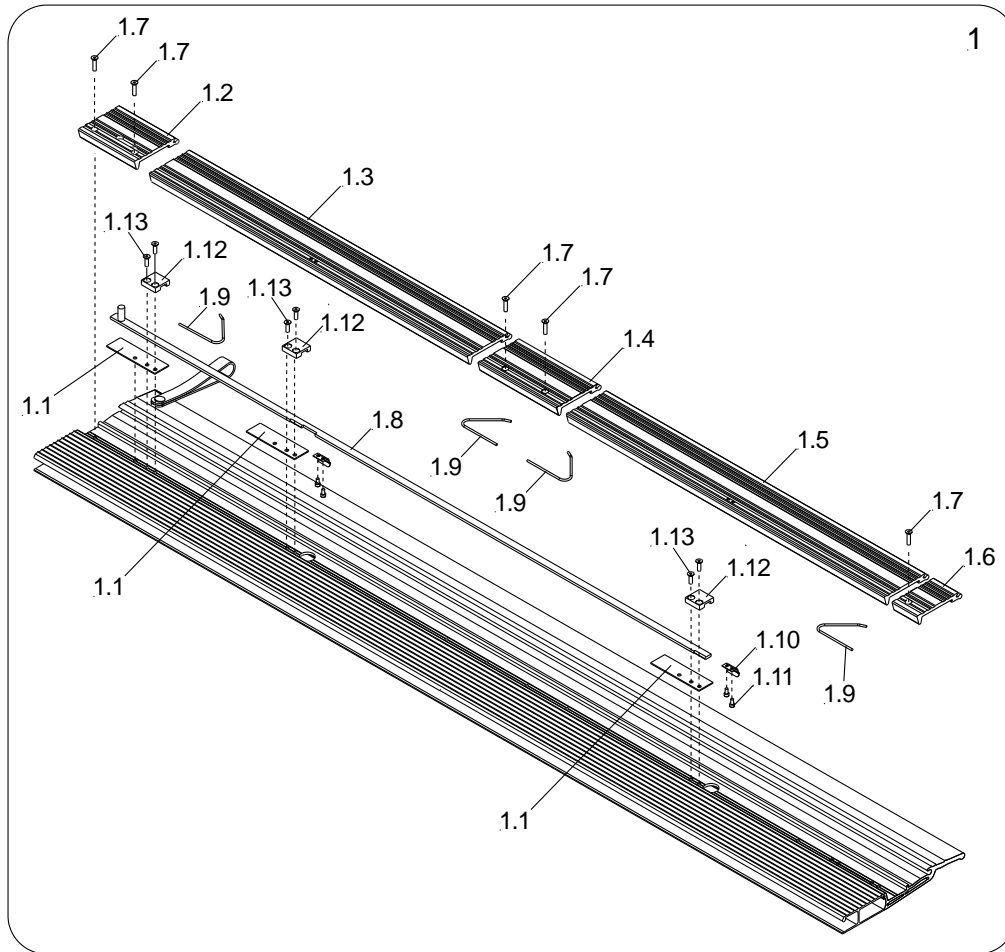


**Built to Deliver - Every Time**

<b>9 – ALUMINUM PLATFORM WITH ALUMINUM RETENSION RAMP (ARR)</b>			
<b>NO.</b>	<b>DESCRIPTION</b>	<b>PART NO.</b>	<b>QTY.</b>
1	Main Section Assembly, Aluminum, 42" X 102"W	21-1109-110	1
	Main Section Assembly, Aluminum, 42" X 96"W	21-1109-210	1
	Main Section Assembly, Aluminum, 30" X 102"W	21-1109-310	1
	Main Section Assembly, Aluminum, 30" X 96"W	21-1109-410	1
	Main Section Assembly, Aluminum, 36" X 102"W	21-1109-510	1
	Main Section Assembly, Aluminum, 36" X 96"W	21-1109-610	1
	Main Section Assembly, Aluminum, Bottle Gas, 42" X 102"W	21-1114-010	1
2	Tip Section Assembly, Aluminum, 60"+16", Arr, 102"W	22-1109-310	1
	Tip Section Assembly, Aluminum, 84"+16", Arr, 102"W	22-1109-110	1
	Tip Section Assembly, Aluminum, 84"+16", Arr, 96"W	22-1109-130	1
	Tip Section Assembly, Aluminum, 72"+16", Arr, 102"W	22-1109-510	1
	Tip Section Assembly, Aluminum, 72"+16", Arr, 96"W	22-1109-730	1
3	Chain Arm Assembly, Curb Side	20-1108-120	1
	Chain Arm Assembly, Curb Side, 60" Platform	20-1108-140	1
4	Chain Arm Assembly, Street Side	20-1108-130	1
	Chain Arm Assembly, Street Side, 60" Platform	20-1108-150	1
5	<b>Kit, Aluminum Retention Ramp (Arr), 16" Arr, 96"W</b>	<b>23-1113-003</b>	<b>1</b>
	<b>Kit, Aluminum Retention Ramp (Arr), 20" Arr, 96"W</b>	<b>23-1115-102</b>	<b>1</b>
	<b>Kit, Aluminum Retention Ramp (Arr), 16" Arr, 102"W</b>	<b>23-1113-005</b>	<b>1</b>
	<b>Kit, Aluminum Retention Ramp (Arr), 20" Arr, 102"W</b>	<b>23-1115-100</b>	<b>1</b>
6	Nut, Nylock, ½-13	EM 707	4
7	Open/Close Hub	21-1114-200	1
8	U Bolt, Chain	99-1108-101	2
9	Chain Retainer, Bent U	20-1108-135	2
10	Washer, Flat, 3/8" Zinc	EK3216	4
11	Retainer Wire, Ø.110"X4", Stainless Steel	1474290	2
12	Pin, Ø36mm X 200mm, Column to Platform	2014690	2
13	Grease Zerk, M10x1	EA-005	1
14	Bushing, 36mm ID x Ø40mm x 41mm L	ELG1033	2
15	Shackle, Platform Chain	EZ6172	2
<b>16</b>	<b>Kit, Pin, Hinge, Platform, Tip</b>	<b>45-1111-111A</b>	<b>2</b>
17	Chain, 3/8", Gr. 70, 84" Arr & 72" Fixed	99-8813-084	2
	Chain, 3/8", Gr. 70, 72" Arr & 60" Fixed	99-8813-085	2
	Chain, 3/8", Gr. 70, 60" Arr	99-8813-086	2
18	Washer, Ø75mm OD X Ø38mm ID X 4.5mm	1111379	2
<b>19</b>	<b>Kit, Platform Shim (Optional)</b>	<b>20-1115-001</b>	<b>1</b>
20	Bushing, Ø29mm OD X 31mm X Ø25mm ID	1403365	2
21	<b>Kit, Clearance Light</b>	<b>70-1114-010</b>	<b>1</b>
21.2	Warning Light, Amber	70-1114-011	2
21.3	1/4" Drive Anchor	EK3321	4
21.4	Socket Head Cap Screw, M10x1.5x50mm	ES2087	4
22	<b>Kit, Quiet Chains</b>	<b>99-1114-000</b>	<b>1</b>
22.1	Rubber Sleeve, Ø1.25"X5.75"L	EZ6454	2
22.2	Rubber Sleeve, Ø1.25"X14.5"L	EZ6454	2
22.3	Rubber Sleeve, Ø1.25"X33.25"L	EZ6454	2
23	Bushing, Platform Tip, Ø28mm OD X 14mm X Ø25mm ID	ELG1034	2
24	Kit, Open/Close Hub, Pin, Hardware, Bushings	20-1114-001	1

**Built to Deliver - Every Time**

**10 Cart Stops - Aluminum Platforms**



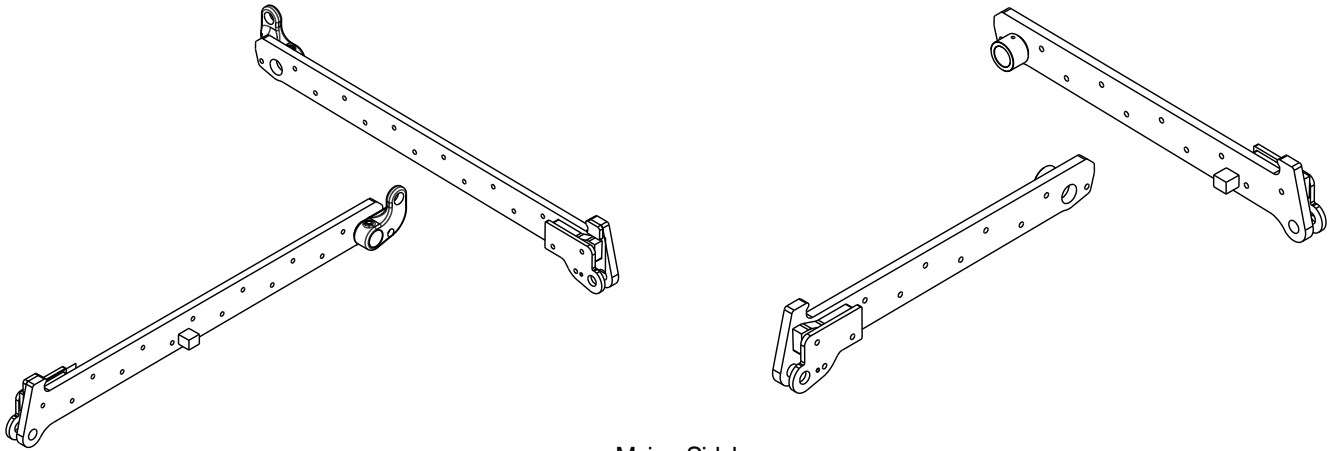
10 – CART STOPS ALUMINUM PLATFORMS			
NO.	DESCRIPTION	PART NO.	QTY.
1	Assembly, 2x 800mm Cart Stop, 12" X 79"	22-0314-018	1
1.1	Pad, Delrin, 35mm X 120mm X 2mm	1406245	3
1.2	Plate Cover, Curb Side	2003301	1
1.3	Cart Stop, 800mm, Curb Side	2006698	1
1.4	Plate Cover, Center	2003302	1
1.5	Cart Stop, 800mm, Street Side	2006697	1
1.6	Plate Cover, Street Side	2003303	1
1.7	Socket Head Cap Screw, M6-1.0 X 30mm	1057441	5
1.8	Sliding Rail	1406248	1
1.9	Spring Rod	1408661	4
1.10	Clip	1406249	2
1.11	Socket Head Cap Screw, M5-0.80 X 8mm	1119357	4
1.12	C-Clip, Plastic	2004637	1
1.13	Socket Head Cap Screw, M6-1.0 X 20mm	1004726	6

Palfinger Liftgates, LLC.  
 15939 Piuma Ave, Cerritos, CA 90703  
 Tel: (888) 774-5844, Fax: (562) 924-8318

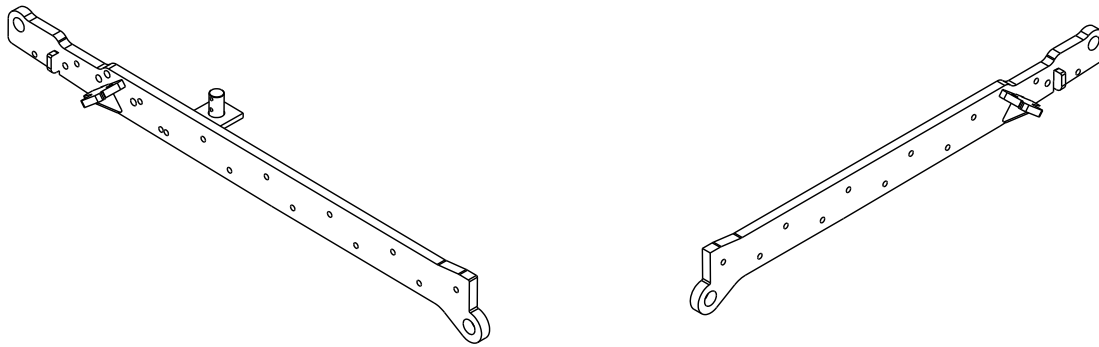
Palfinger Liftgates, LLC.  
 572 Whitehead Road, Trenton, NJ 08619  
 Tel: (609) 587-4200, Fax: (609) 587-4201

**Built to Deliver - Every Time**

**11 Aluminum Platform Side Bars**



Main - Sidebars

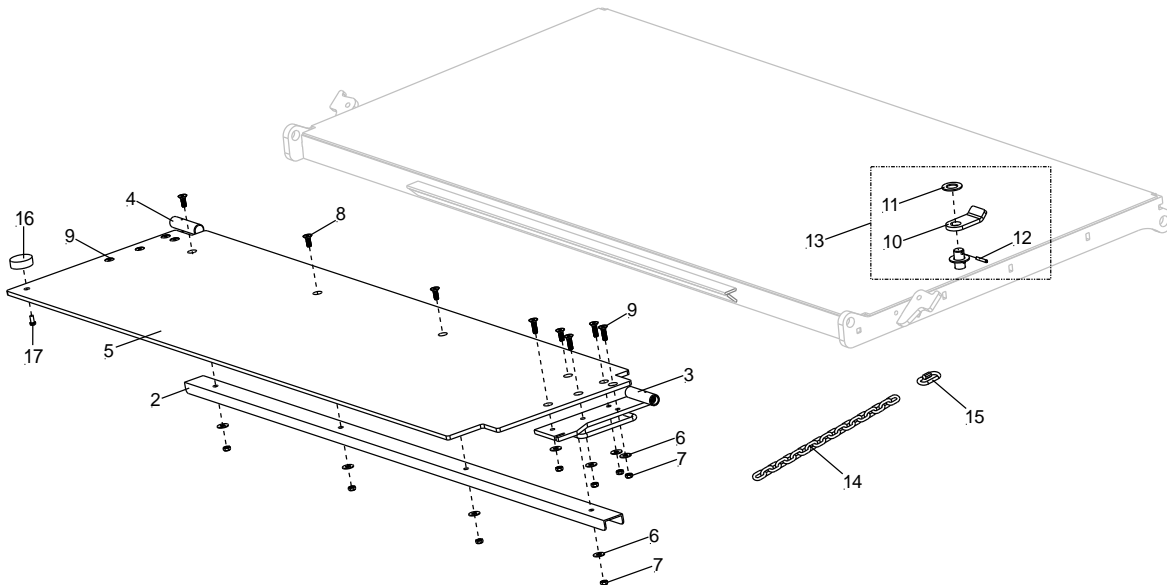


Tip - Sidebars

11 - ALUMINUM PLATFORM SIDE BARS								
NO.	DESCRIPTION	MAIN SECTION			TIP SECTION			QTY.
		60"	72"	84"	60 "	72"	84"	
1	Side Bar, Main, Street	21-1109-132	21-1109-516	21-1109-116	--	--	--	1
2	Side Bar, Main, Curb	21-1109-131	21-1109-515	21-1109-115	--	--	--	1
3	Side Bar, Tip, Street,ARR	--	--	--	22-1109-132	22-1109-518	22-1109-116	1
4	Side Bar, Tip, Curb, ARR	--	--	--	22-1109-131	22-1109-517	22-1109-115	1
5	Side Bar, Tip, Street	--	--	--	22-1109-618	22-1109-118	--	1
6	Side Bar, Tip, Curb	--	--	--	22-1109-617	22-1109-117	--	1

**Built to Deliver - Every Time**

**12 Aluminum Retention Ramp (ARR)**

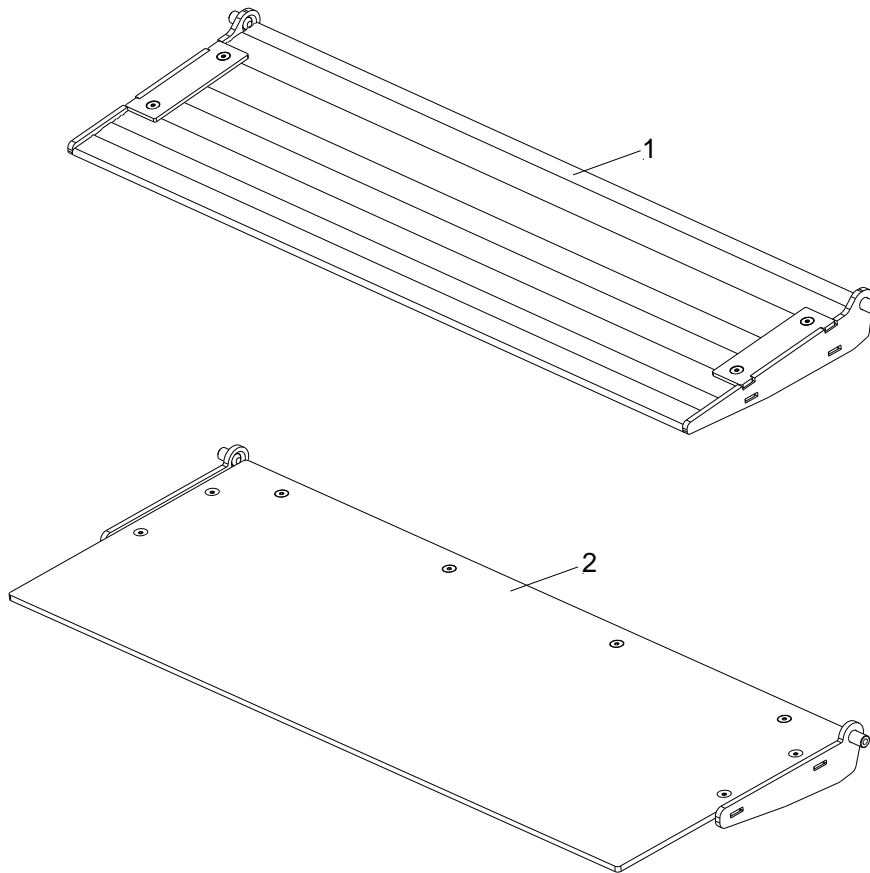


12 – ALUMINUM RETENTION RAMP (ARR)			
NO.	DESCRIPTION	PART NO.	QTY.
1	Kit, Aluminum Retention Ramp (ARR), 16", 96"W	23-1113-003	1
	Kit, Aluminum Retention Ramp (ARR), 20", 96"W	23-1115-102	1
	Kit, Aluminum Retention Ramp (ARR), 16", 102"W	23-1113-005	1
	Kit, Aluminum Retention Ramp (ARR), 20", 102"W	23-1115-100	1
2	Stiffener, Center Bar, 96"W	23-1110-201	1
	Stiffener, Center Bar, 102"W	23-1113-002	1
3	Hinge Assembly, Curb Side	23-1115-000	1
4	Hinge Assembly, Street Side	23-1115-001	1
5	Plate; ARR, 16", 96"W	23-1113-006	1
	Plate, ARR, 20", 96"W	23-1115-103	1
	Plate; ARR, 16", 102"W	23-1113-004	1
	Plate, ARR, 20", 102"W	23-1115-101	1
6	Washer, Flat, 3/8" USS, Zinc	EK3216	12
7	Nut, Nylock, 3/8-16, Half Height	EM-709	12
8	Flat Head Cap Screw, 3/8-16x1"	ES3452	4
9	Flat Head Cap Screw, 3/8-16x1.25"	ES3473	8
10	Plate, Ramp Retainer	23-1108-116	1
11	Washer, Flat, 1-1/8" ID X 2.00" OD	EK3407	2
12	Spring Pin; 1/4"D x 1-1/2"L	EQ1656	2
13	Kit, Latch, ARR Retainer	22-1115-002	1
14	Chain, 15"	99-1115-002	1
15	Chain Connector, Oval, 1.75"	EZ6794	1
16	Rubber Snubber Pad	60-7514-002	1
17	Hex Head Cap Screw, M12-1.75x16mm, DIN 933, Zinc	ES4091	1



**Built to Deliver - Every Time**

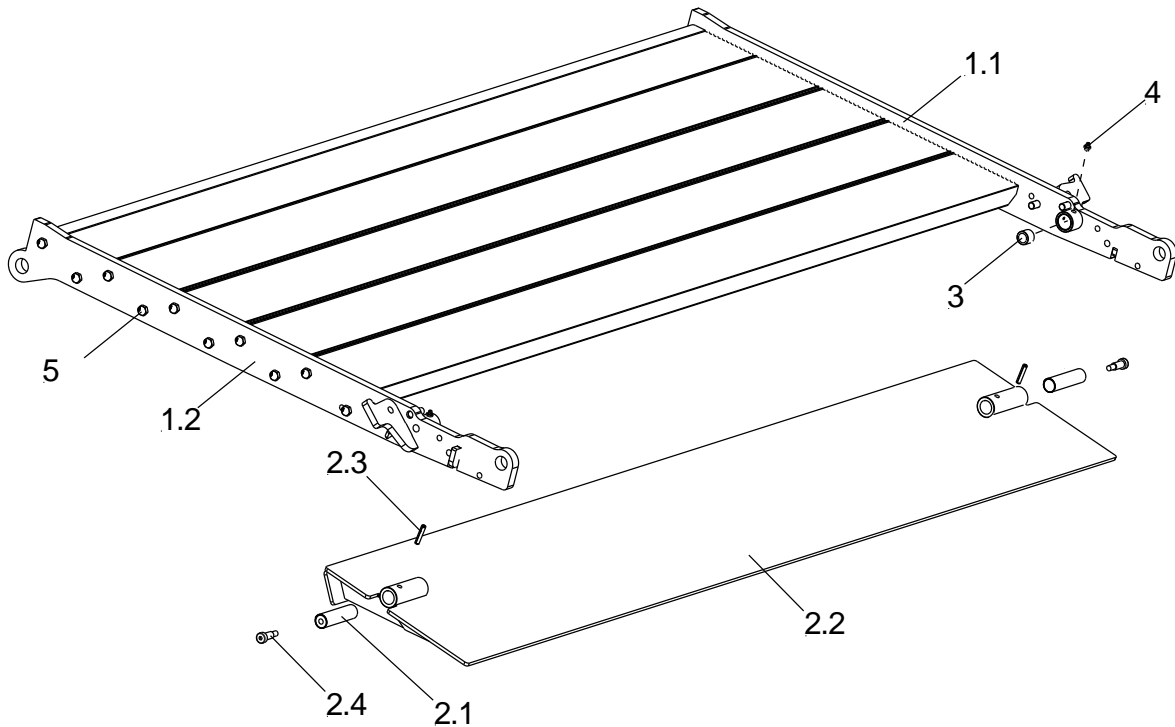
**13 ILD BG (Bottle Gas) Ramp**



13-ILD BG (BOTTLE GAS) RAMP			
NO.	DESCRIPTION	PART NO.	QTY.
1	Kit, Ramp Assembly, Aluminum Extrusion, 51"W X 16"L	23-1113-100	1
	Kit, Ramp Assembly, Aluminum Extrusion, 45"W X 16"L	23-1113-150	1
2	Kit, Ramp Assembly, Aluminum Plate, 51"W X 20"L, 102"W	23-1114-100	1
	Kit, Ramp Assembly, Aluminum Plate, 45"W X 20"L, 96"W	23-1114-200	1

**Built to Deliver - Every Time**

**14 Auto Cart Stop**



14 – AUTO CART STOP			
NO.	DESCRIPTION	PART NO.	QTY.
<b>1</b>	<b>Tip Section Assembly, Auto Cart Stop, 102W, 72"+12" Fixed</b>	<b>22-1113-320</b>	<b>1</b>
1.1	Side Bar Assembly, Curb Side	22-1111-117	1
1.2	Side Bar Assembly, Street Side	22-1111-118	1
<b>2</b>	<b>Auto Cart Stop Assembly</b>	<b>23-1115-200</b>	<b>1</b>
2.1	Pin, Ramp Pivot	22-1111-321	2
2.2	Auto Cart Stop, Steel	23-1115-210	1
2.3	Coil Pin, 5/16"X1-1/2"	EQ1649	2
2.4	Screw , Shoulder, 3/8-16x5/8	ES3620	2
3	Bushing, Bronze	ELG1063	2
4	Zerk Fitting, M10x1	EA005	2
5	Hex Head Cap Screw, M10x1.5x60mm, Cl.10.9, Zinc	ES3244	20

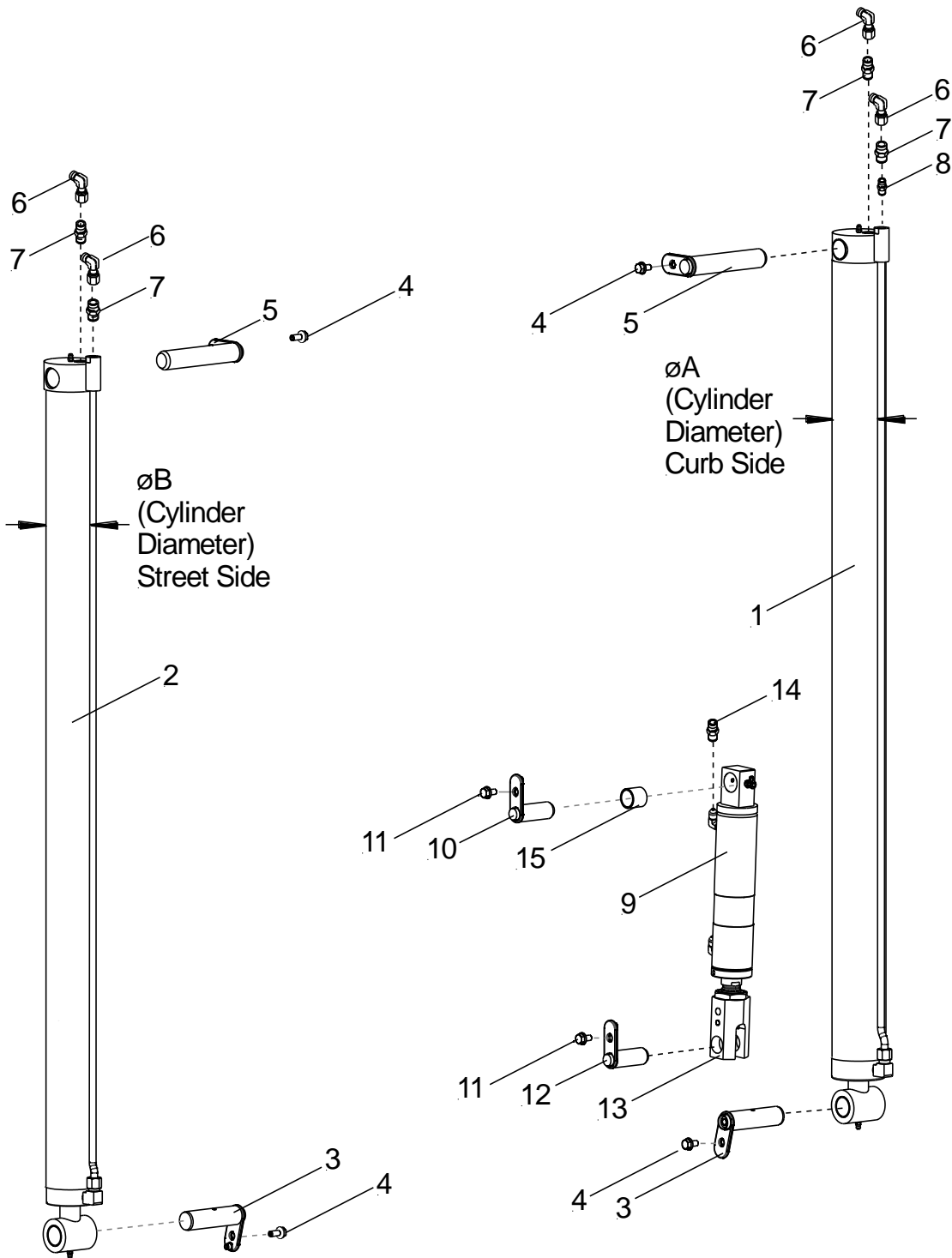
---

***Built to Deliver - Every Time***

**NOTES**

**Built to Deliver - Every Time**

**15 Cylinders**



Palfinger Liftgates, LLC.  
15939 Piuma Ave, Cerritos, CA 90703  
Tel: (888) 774-5844, Fax: (562) 924-8318

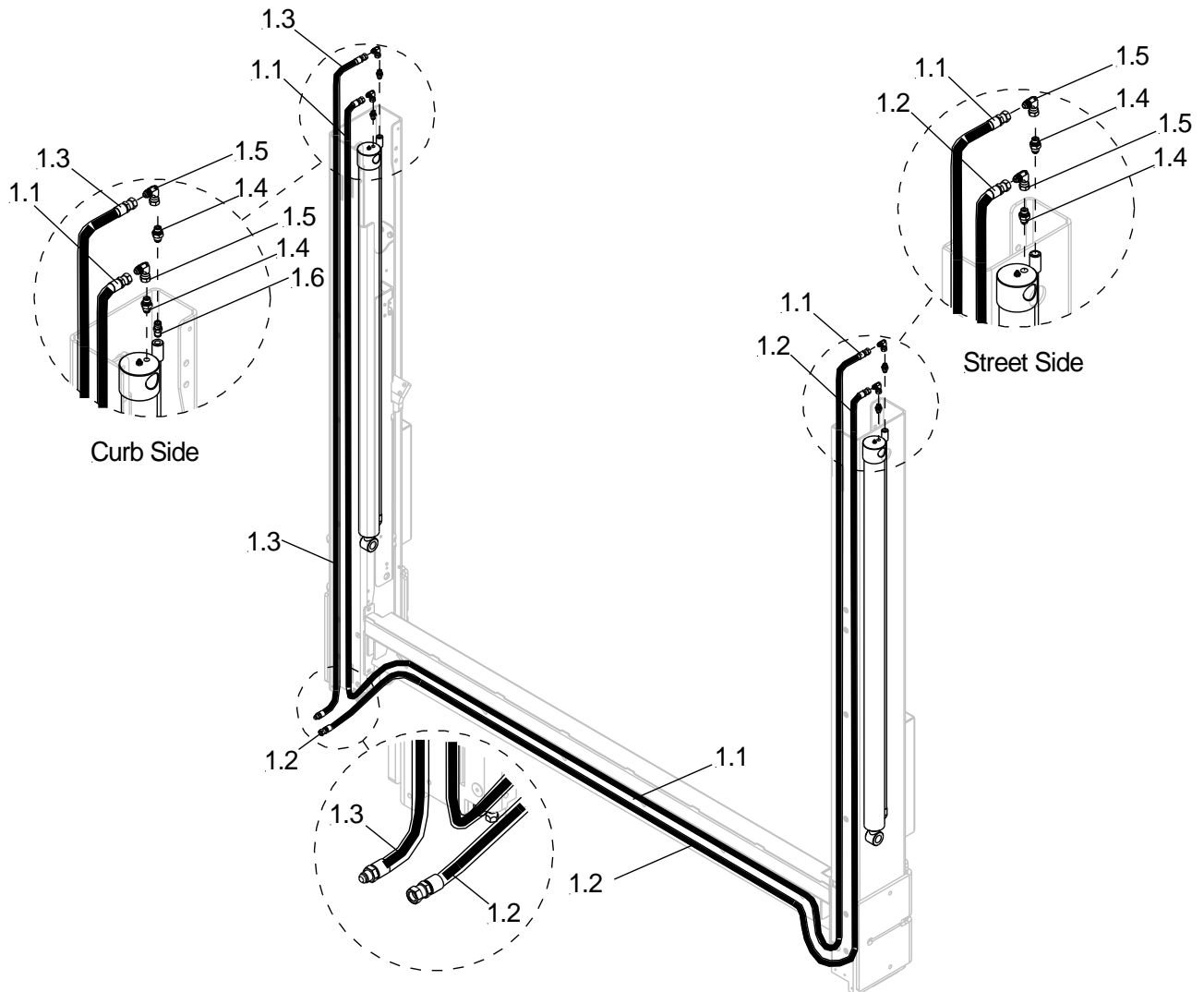
Palfinger Liftgates, LLC.  
572 Whitehead Road, Trenton, NJ 08619  
Tel: (609) 587-4200, Fax: (609) 587-4201

**Built to Deliver - Every Time**

15 - CYLINDERS						
NO.	DESCRIPTION	PART NO.				QTY.
		ILD 35	ILD 44	ILD 55	ILD 66	
∅A	Cylinder Outer Diameter – Curb Side	65MM [2-1/2"]	65MM [2-1/2"]	73MM [2-7/8"]	73MM [2-7/8"]	1
∅B	Cylinder Outer Diameter – Street Side	73MM [2-7/8"]	73MM [2-7/8"]	80MM [3-1/8"]	80MM [3-1/8"]	1
1	Cylinder, Curb Side	2020887	2020887	2014599	2014599	1
2	Cylinder, Driver Side	2014599	2014599	2014598	2014598	1
3	Pin, M28 x 110mm, Lower Lift Cylinder	1238277	1238277	1238277	1238277	1
4	Bolt, Pin Lock, M8x16mm	ES1451	ES1451	ES1451	ES1451	1
5	Pin, M28 x 153mm, Upper Lift Cylinder	2003653	2003653	2003653	2003653	2
6	Elbow, 90°, Male 3/8" JIC - Female 3/8" JIC	EA6028	EA6028	EA6028	EA6028	4
7	Adaptor, Male 1/4" BSPP - Male 1/4" BSPP	EA6020	EA6020	EA6020	EA6020	4
8	Restrictor No.10 ( <i>Only On Curb Side</i> )	2022283	2022283	2022283	2022283	1
9	Open-Close Cylinder Including Adjusting Head	2022188	2022188	2022188	2022188	1
10	Pin, M25 x 74mm, Upper Open-Close Cylinder	1346229	1346229	1346229	1346229	1
11	Bolt, Pin Lock, M8x16mm	ES1451	ES1451	ES1451	ES1451	1
12	Pin, M25 x 58mm, Lower Open-Close Cylinder	2020499	2020499	2020499	2020499	1
13	Adjusting Head	2014916	2014916	2014916	2014916	1
14	Restrictor, 0.031"	EA6220	EA6220	EA6220	EA6220	1
15	Bushing, 29mm X 25mm X 31mm	1403365	1403365	1403365	1403365	1

**Built to Deliver - Every Time**

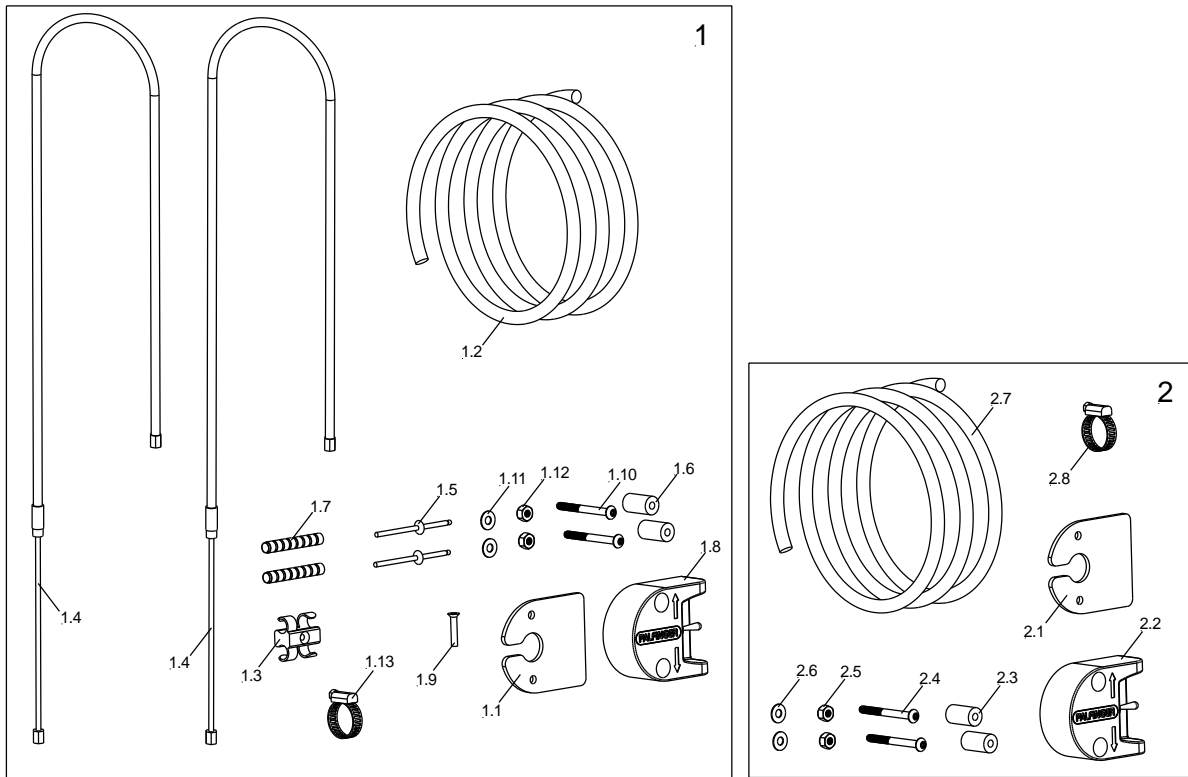
**16 Cylinder Hoses**



16 – CYLINDER HOSES			
NO.	DESCRIPTION	PART NO.	QTY.
<b>1</b>	<b>KIT, HYDRAULIC HOSES AND FITTINGS</b>	<b>80-1115-204</b>	<b>1</b>
1.1	Hydraulic Hose, 292", 3/8" JIC Female – 3/8" JIC Female	80-1113-201	1
1.2	Hydraulic Hose; 204", 3/8" JIC Female – 3/8" JIC Female	80-1113-202	1
1.3	Hydraulic Hose; 108", 3/8" JIC Male – 3/8" JIC Female	80-1113-203	1
1.4	Adapter, 1/4" BSPP Male - 3/8" JIC Male	EA6020	4
1.5	Elbow, 90°, 3/8" JIC Female	EA6028	4
1.6	Restrictor, 0.031", (Curb Side Only)	2022283	1

**Built to Deliver - Every Time**

**17 Hose and Switch Kit**



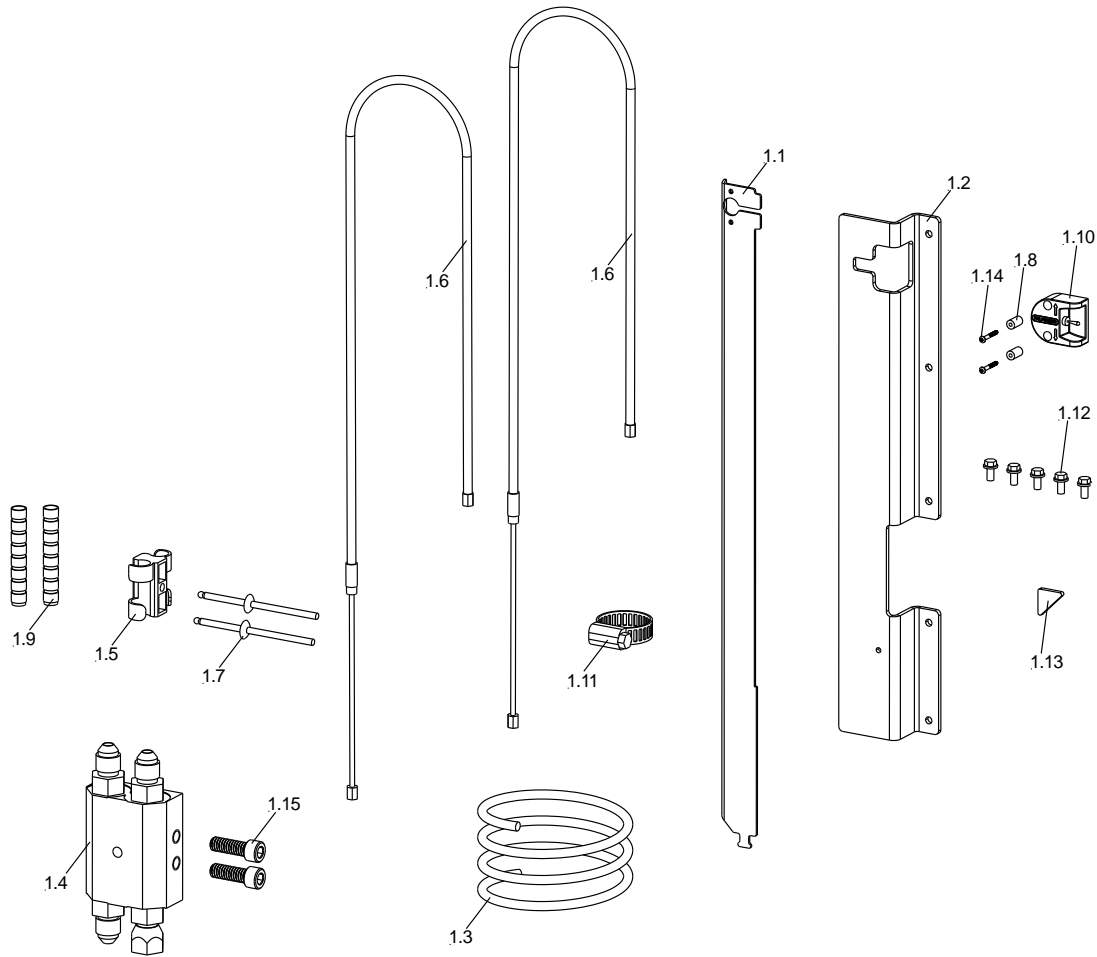
17 - HOSE AND SWITCH KIT			
NO.	DESCRIPTION	PART NO.	QTY.
<b>1</b>	<b>Kit, Hose And Switch, With Hardware</b>	<b>80-1113-302</b>	<b>1</b>
1.1	Backing Plate, Toggle Switch	03-1111-121	1
1.2	Expandable Mesh Sleeve	80-1111-201	1
1.3	Double Line Clamp	80-1113-003	1
1.4	Hydraulic Hose	80-1114-310	2
1.5	Rivet, 1/8" Diameter X 1" Length	99-8813-045	2
1.6	Spacer, 0.5" OD, 0.192" ID	99-8813-067	2
1.7	Split Loom, 1/4" ID X 2"	EZ7259	2
1.8	Toggle Switch	2004565	1
1.9	Flat Head Screw, #8-32 X 7/8" Zinc	ES3458	1
1.10	Button Head Cap Screw, 10-24 X 2", Zinc	99-8813-070	2
1.11	Washer, Flat, #10, Zinc	99-8813-072	2
1.12	Nut, Nylock 10-24 Gr.5 Zinc	EM697	2
1.13	Hose Clamp, SAE, Size 6	3112225	1
<b>2</b>	<b>Kit, Toggle Switch, With Hardware</b>	<b>80-1113-303</b>	<b>1</b>
2.1	Backing Plate, Toggle Switch	03-1111-121	1
2.2	Toggle Switch	2004565	1
2.3	Spacer, 0.5" OD, 0.192" ID	99-8813-067	2
2.4	Button Head Cap Screw, 10-24 X 2", Zinc	99-8813-070	2
2.5	Washer, Flat #10, Zinc	99-8813-072	2
2.6	Nut, Nylock 10-24 Gr.5 Zinc	EM-697	2
2.7	Expandable Mesh Sleeve	80-1111-201	1
2.8	Hose Clamp, SAE, Size 6	3112225	1

Palfinger Liftgates, LLC.  
 15939 Piuma Ave, Cerritos, CA 90703  
 Tel: (888) 774-5844, Fax: (562) 924-8318

Palfinger Liftgates, LLC.  
 572 Whitehead Road, Trenton, NJ 08619  
 Tel: (609) 587-4200, Fax: (609) 587-4201

**Built to Deliver - Every Time**

**18 Hose Guard Kit**



18- HOSE GUARD KIT			
NO.	DESCRIPTION	PART NO.	QTY.
1	Kit, Hose Guard	03-1112-300	1
1.1	Toggle Switch Bracket Weldment	03-1112-010	1
1.2	Bolt-On Hose Guard	03-1112-201	1
1.3	Expandable Mesh Sleeve	80-1111-201	1
1.4	Hydraulic Junction Block Assembly	80-1113-000	1
1.5	Double Line Clamp	80-1113-003	1
1.6	Hydraulic Hose	80-1114-310	2
1.7	Rivet, 1/8" Diameter X 1" Length	99-8813-045	2
1.8	Spacer, 0.5" OD, 0.192" ID	99-8813-067	2
1.9	Split Loom, 1/4" I.D. X 2"	EZ7259	2
1.10	Toggle Switch	2004565	1
1.11	Hose Clamp, SAE, Size 6	3112225	1
1.12	Bolt Thread Rolling	ES3453	5
1.13	Plate, Gusset	22-1108-107	1
1.14	Button Head Cap Screw, 10-24 X 1-1/2", Zinc	99-8813-069	2
1.15	Socket Head Cap Screw, 1/4-20 X 3/4", Zinc	ES2515	2

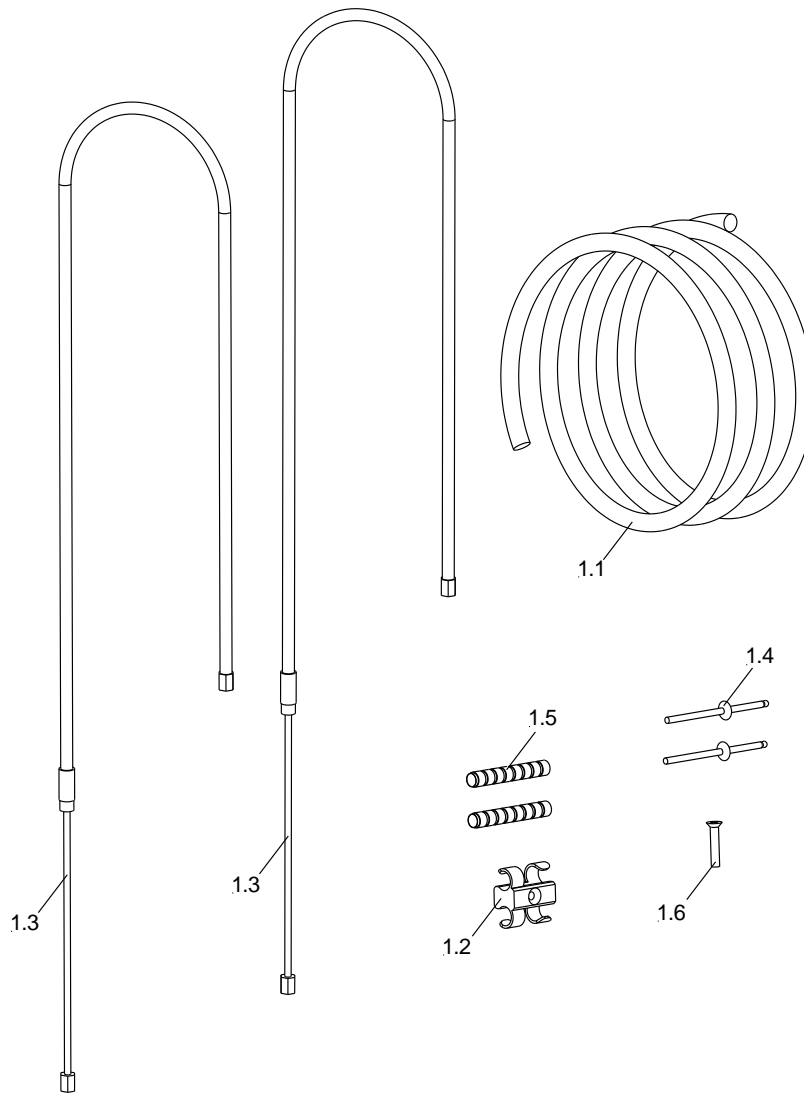
Palfinger Liftgates, LLC.  
 15939 Piuma Ave, Cerritos, CA 90703  
 Tel: (888) 774-5844, Fax: (562) 924-8318

Palfinger Liftgates, LLC.  
 572 Whitehead Road, Trenton, NJ 08619  
 Tel: (609) 587-4200, Fax: (609) 587-4201



**Built to Deliver - Every Time**

**19 Hose and Hardware Kit**



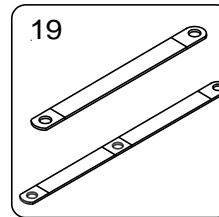
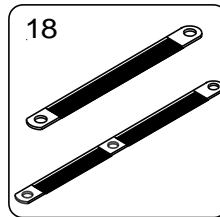
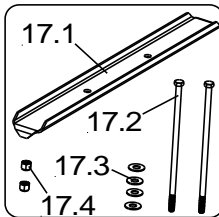
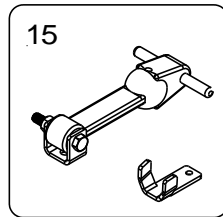
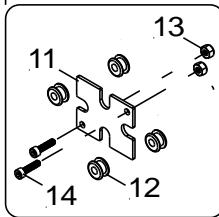
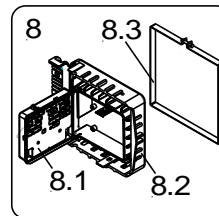
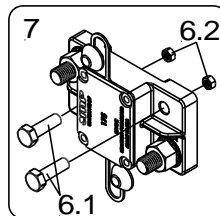
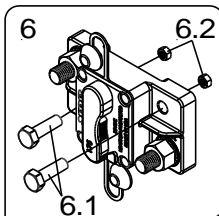
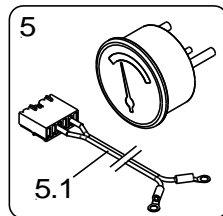
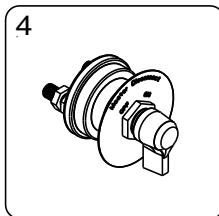
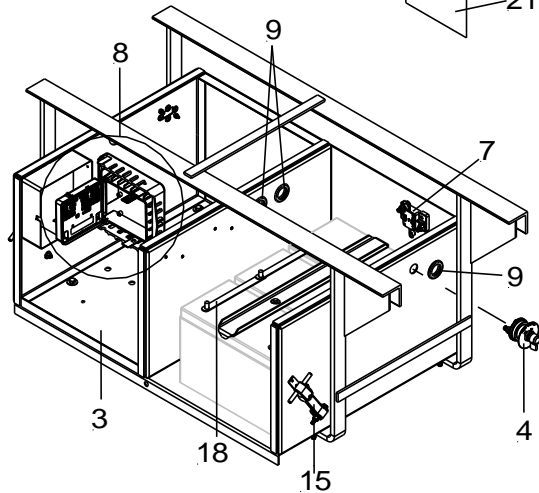
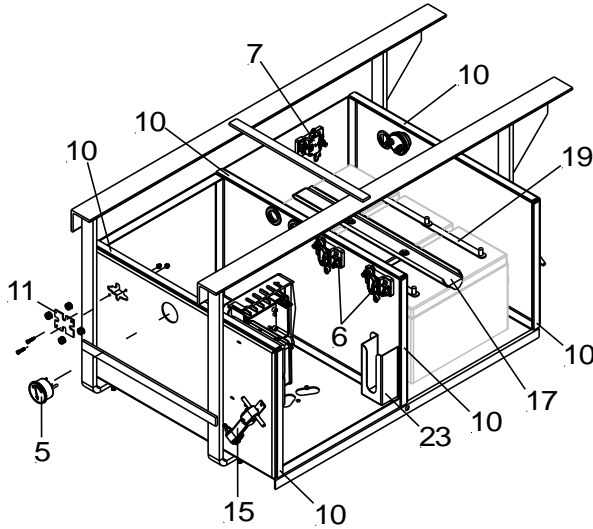
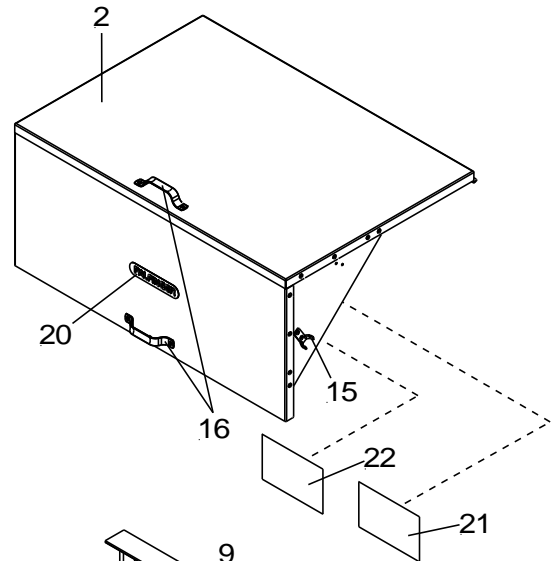
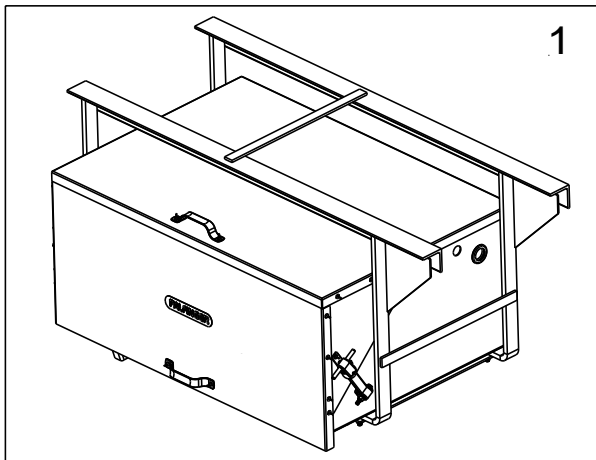
19 - HOSE AND HARDWARE KIT			
NO.	DESCRIPTION	PART NO.	QTY.
1	Kit, Hose And Hardware	80-1113-301	1
1.1	Expandable Mesh Sleeve	80-1111-201	1
1.2	Double Line Clamp	80-1113-003	1
1.3	Hydraulic Hose	80-1114-310	2
1.4	Rivet, 1/8" Diameter X 1" Length	99-8813-045	2
1.5	Split Loom, 1/4" I.D. X 2"	EZ7259	2
1.6	Flat Head Screw, #8-32 X 7/8" Zinc	ES3458	1

Palfinger Liftgates, LLC.  
 15939 Piuma Ave, Cerritos, CA 90703  
 Tel: (888) 774-5844, Fax: (562) 924-8318

Palfinger Liftgates, LLC.  
 572 Whitehead Road, Trenton, NJ 08619  
 Tel: (609) 587-4200, Fax: (609) 587-4201

**Built to Deliver - Every Time**

**20 Battery Box**



Palfinger Liftgates, LLC.  
 15939 Piuma Ave, Cerritos, CA 90703  
 Tel: (888) 774-5844, Fax: (562) 924-8318

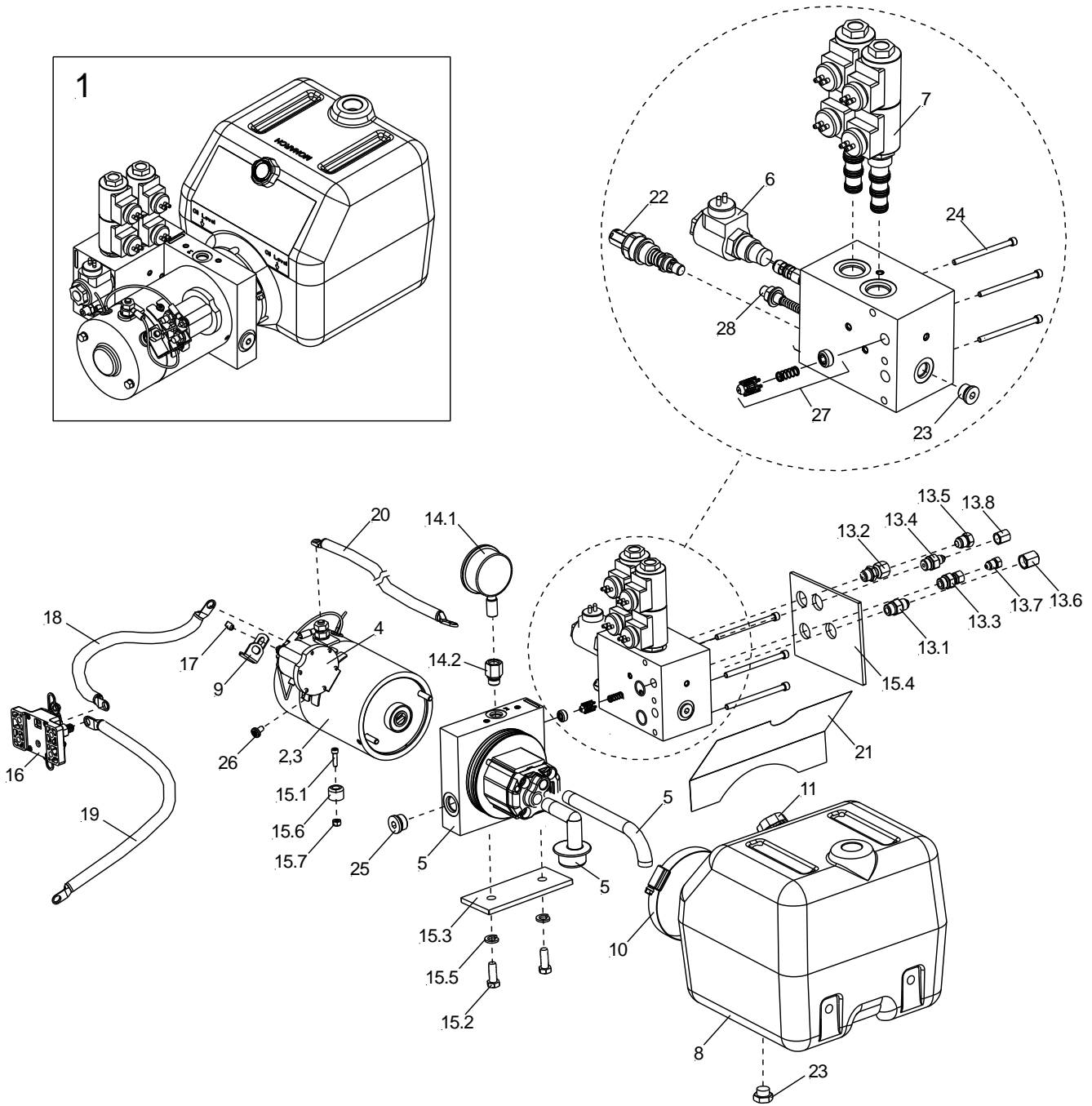
Palfinger Liftgates, LLC.  
 572 Whitehead Road, Trenton, NJ 08619  
 Tel: (609) 587-4200, Fax: (609) 587-4201

**Built to Deliver - Every Time**

20 – BATTERY BOX			
NO.	DESCRIPTION	PART NO.	QTY.
1	Battery/Pump Box Assembly, Box, Lid , Carrier	80-1113-520	1
	Battery/Pump Box Assembly, Box, Lid , Carrier (After March 2018)	50-1117-005	1
2	Battery Box Lid, Aluminum	60-1114-010	1
3	Battery Box Enclosure, Steel	80-1113-509	1
	Battery Box Enclosure, Steel (After March 2018)	50-1117-200	1
4	Master Disconnect Switch	70-8015-017	1
5	Voltmeter, 12V, 8-18v Scale	70-1109-201	1
5.1	Harness, Voltmeter	KET05800A	1
6	Circuit Breaker, 175A, Manual Reset, 3/8" Studs	70-8114-009	2
6.1	Hex Head Cap Screw, 1/4-20x1.0" Gr.5, Zinc	ES3443	6
6.2	Nut, Nylock 1/4-20 Zinc	ES3420	6
7	Circuit Breaker, 175A, Auto Reset, 3/8" Studs	70-8114-008	1
<b>8</b>	<b>M-Board PC Kit, Premium, ILD+</b>	<b>2029092a</b>	<b>1</b>
8.1	M-Board (PBC), Premium	2029092	1
8.2	Cover	2029906	1
8.3	Clamp	2010169	1
8.4	Decal, Schematic	2029907	1
<b>8.5.1</b>	<b>M-Board PC Kit, Premium, ILD+ (Complete w/Harness and Controls)</b>	<b>2032695</b>	<b>1</b>
9	Grommet, Push-In, Ø1.25" Id	EK3340	3
10	Rubber Seal Strip, 14"	99-8712-098	3
	Rubber Seal Strip, 24"	99-8712-098	3
11	Side Cover	80-1113-521	1
12	Grommet, Push-In, Ø0.25" Id	EK3339	4
13	Nut, Nylock 10-24 Gr.2 Zinc	EM730	2
14	Socket Head Cap Screw: 10-24 X 3/4" Zinc	ES3448	2
15	Kit, Hood Catch	80-1113-533	2
16	Handle, Battery Box Cover	99-8814-010	2
<b>17</b>	<b>Kit, Battery Strap Kit</b>	<b>99-7515-001</b>	<b>1</b>
17.1	Bracket, Battery Hold Down	60-7515-200	1
17.2	Hex Head Cap Screw, 3/8-16 X 9.5"; Gr. 2	ES3781	2
17.3	Washer, Flat, 3/8" Uss, Zinc	EK3216	4
17.4	Nut, Nylock 3/8-16 Gr.5 Zinc	EM-708	2
18	Bus Bar, 2-Battery, Black	KET05916A	1
	Bus Bar, 3-Battery, Black	KET05961A	1
19	Bus Bar, 2-Battery, Red	KET060602A	1
	Bus Bar, 3-Battery, Red	KET05962A	1
20	Decal, Palfinger Logo, Yellow	2038837	1
21	Decal, Fault Codes, M-Board	85-1117-000	1
22	Decal, Electrical Schematic	85-1113-100	1
23	Holster, Control (Before March 2018)	80-1113-505	1

**Built to Deliver - Every Time**

**21 Pump and Motor - Primary Pump (After March 2018)**

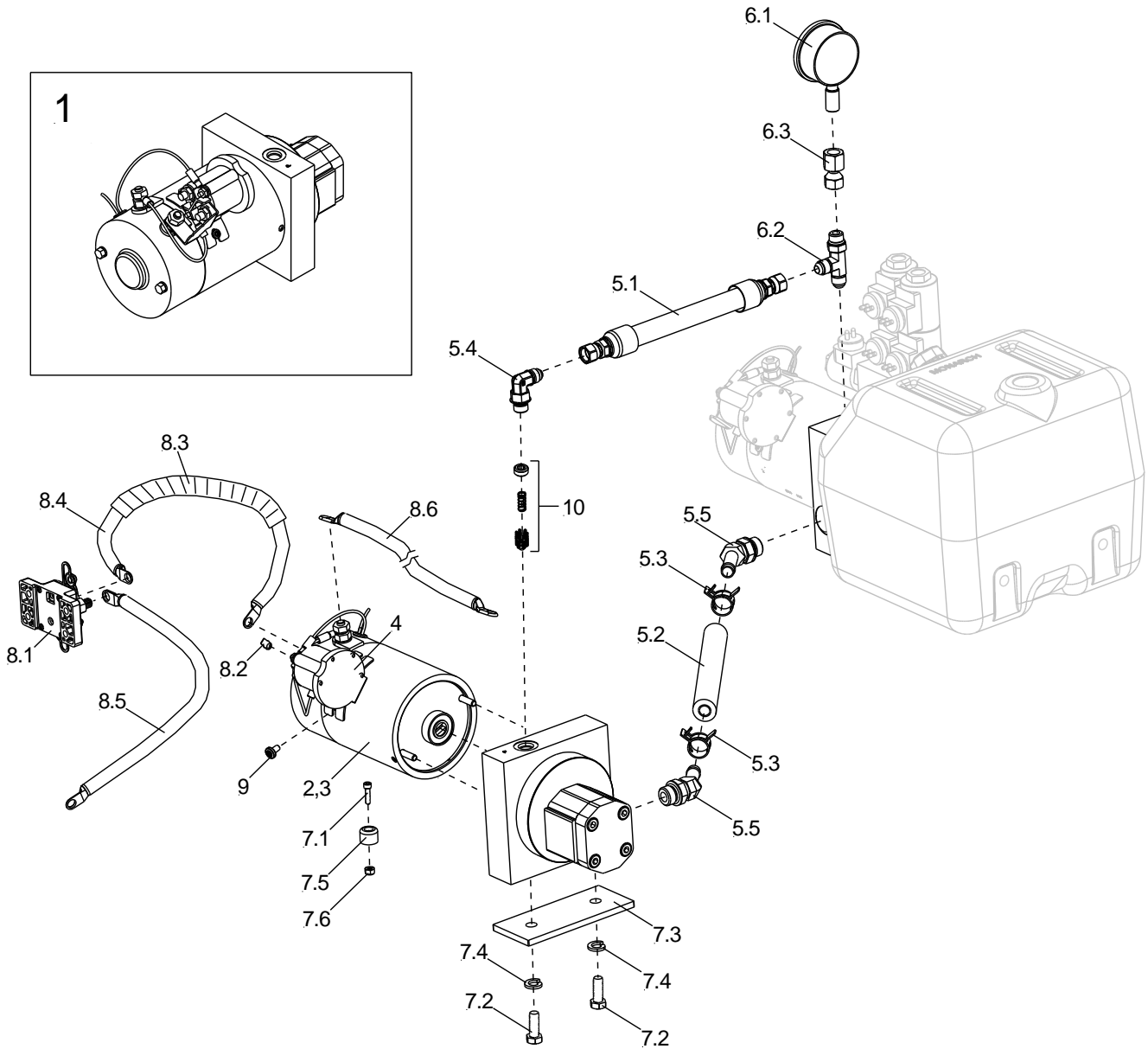


**Built to Deliver - Every Time**

21 – PUMP AND MOTOR –PRIMARY PUMP			
NO.	DESCRIPTION	PART NO.	QTY.
1	Power Pack, Primary, Pump & Motor, 1.7CC, 12V	50-1117-001	1
	Power Pack, Primary, Pump & Motor, 1.7CC, 24V	50-1118-102	1
2	Motor, 12v	2020866	1
3	Carbon Brushes Kit	1410330	1
4	Motor Solenoid, 12v	1404303	1
	Motor Solenoid, 24v	1404302	1
5	Pump, Incl. Coupler, Pipe, Filter	2020618	1
6	Two Way Release Valve	2021832A	4
7	Single Locking Release Valve	67282345	1
8	Oil Reservoir	50-1118-002	1
9	Bracket, Copper Bridge, Solenoid	50-1118-001	1
10	Clamp For Oil Reservoir	50-0313-954	1
11	Breather Cap	50-0709-914	1
12	Pump Filter	2018681	1
13	Fitting Kit, Primary Pump	80-1117-100	1
13.1	Adapter, Male 3/8" JIC - 3/8" ORB	HV826	1
13.2	Adpater, Female 3/8" JIC - 3/8 ORB	HV829	1
13.3	Adpater, Female 1/4" JIC - 3/8 ORB	HV830	1
13.4	Adpater, Male 1/4" JIC - 3/8 ORB	HV831	1
13.5	Plug, 3/8" JIC Male	EA6022	1
13.6	Cap, 3/8" JIC Female	EA6023	1
13.7	Plug, 1/4" JIC Male	EA6024	1
13.8	Cap, 1/4" JIC Female	EA6025	1
14	Gauge Kit, Primary Pump	80-1117-101	1
14.1	Pressure Gauge	OS3121327	1
14.2	Adapter, 3/8" ORB - 1/4"-18 NPT	HV 836	1
15	Hardware Kit, Primary Pump	99-1117-000	1
15.1	Socket Head Cap Screw, 10-24 X 3/4", Zinc	ES3448	1
15.2	Hex Head Cap Screw, 3/8-16 X 1", Gr.5, Zinc	ES3446	2
15.3	Rubber, 2.5" X 5.5" X 1/4"	50-1117-003	1
15.4	Gasket, 5" X 4" X .03"	50-1117-004	1
15.5	Washer; Splitlock, 3/8"	EK3238	2
15.6	Snubber, 3/4"OD X 3/16"ID X 9/16"H	EK3698	1
15.7	Nut, Nylock, 10-24, Gr.2, Zinc	EM730	1
16	Circuit Breaker, Manual, 175A	70-8114-009	1
17	Electrical Terminal	1474387	1
18	Cable, 20", 3/8" Lugs, Red	KET05919A	1
19	Cable, 35", 3/8" Lugs, Red	KET05920A	1
20	Cable, 35", 3/8" Lugs, Black	KET05921A	1
21	Oil Level Decal	85-1117-002	1
22	Relief Valve	50-0313-953	1
23	Plug, SAE, 9/16-18, Hex Socket	50-1118-003	2
24	Socket Head Cap Screw, 1/4"-20x3.50", Zinc	ES4086	3
25	Plug, SAE, 3/4"-16, Hex Socket	50-1118-004	1
26	Pan Head Screw, #10-32x0.312", Torx Drive	ES4080	2
27	Valve, Check, Primary/Secondary Pump	50-1118-005	1
28	Valve, Assembly, 1001 PSI & Up	50-1118-006	1

**Built to Deliver - Every Time**

**22 Pump and Motor – Secondary Pump (After March 2018)**

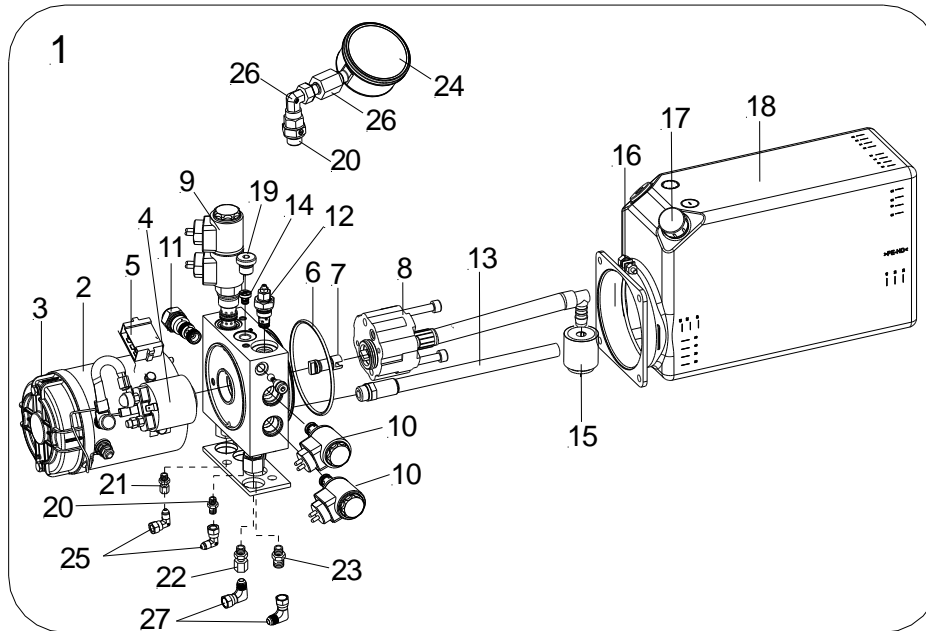


**Built to Deliver - Every Time**

<b>22 – PUMP AND MOTOR – SECONDARY</b>			
<b>NO.</b>	<b>DESCRIPTION</b>	<b>PART NO.</b>	<b>QTY.</b>
1	Power Pack, Secondary- Pump and Motor, 1.7CC, 12V	50-1117-002	1
	Power Pack, Secondary- Pump and Motor, 1.7CC, 24V	50-1118-103	1
2	Motor, 12v	2020866	1
3	Carbon Brushes Kit	1410330	1
4	Motor Solenoid, 12v	1404303	1
	Motor Solenoid, 24v	1404302	1
<b>5</b>	<b>Hydraulic Kit, Secondary Pump</b>	<b>80-1117-200</b>	<b>1</b>
5.1	Hose, Female 3/8 JIC X 7" L	EH14737	1
5.2	Hose, 1/2" ID X 5" L, Raw	EH14739	1
5.3	Hose Clamp, 3/4" OD, Spring-Band	EQ1708	2
5.4	Elbow, Male 3/8 JIC - 3/8 ORB	HV 832	1
5.5	Elbow, 45°, 1/2 ORB - 1/2 BARB	HV 833	2
<b>6</b>	<b>Pressure Gauge Kit, Secondary Pump</b>	<b>80-1117-202</b>	<b>1</b>
6.1	Pressure Gauge	OS3121327	1
6.2	Tee, Male 3/8 JIC - 3/8 ORB RUN	HV 827	1
6.3	Adapter, Female 3/8 JIC – Female 1/4-18 NPTF	HV 828	1
<b>7</b>	<b>Hardware Kit, Secondary Pump</b>	<b>99-1117-001</b>	<b>1</b>
7.1	Socket Head Cap Screw, 10-24 X 3/4", Zinc	ES3448	1
7.2	Hex Head Cap Screw, 3/8-16 X 1" ,Gr.5, Zinc	ES3446	2
7.3	Rubber, 2.5" X 5.5" X 1/4"	50-1117-003	1
7.4	Washer; Splitlock, 3/8"	EK3238	2
7.5	Snubber, 3/4"OD X 3/16"ID X 9/16"H	EK3698	1
7.6	Nut, Nylock, 10-24, Gr.2, Zinc	EM 730	1
<b>8</b>	<b>Electrical Kit, 12V, Secondary Pump</b>	<b>70-1117-300</b>	<b>1</b>
8.1	Circuit Breaker, Manual, 175A	70-8114-009	1
8.2	Electrical Terminal	1474387	1
8.3	Split Loom, 1/2" X 6.25"	EZ7073	1
8.4	Cable, 20", 3/8" Lugs, Red	KET05919A	1
8.5	Cable, 35", 3/8" Lugs, Red	KET05920A	1
8.6	Cable, 35", 3/8" Lugs, Black	KET05921A	1
9	Pan Head Screw, #10-32x0.312", Torx Drive	ES4080	2
10	Valve, Check, Primary/Secondary Pump	50-1118-005	1

**Built to Deliver - Every Time**

**23 Pump and Motor - Single Pump (Prior 2018)**



23 – PUMP AND MOTOR – SINGLE PUMP (PRIMARY)			
NO.	DESCRIPTION	PART NO.	QTY.
1	Power Pack- Single Motor	2019902	1
2	Motor	2020866	1
3	Carbon Brushes Kit	1410330	1
4	Motor Solenoid, 12v	1404303	1
	Motor Solenoid, 24v	1404302	1
5	Connector, Female, 8 Pole	68354986	1
6	Seal Ring Oil Reservoir	2009743	1
7	Coupler	2020617	1
8	Pump Incl. Coupler, Pipe, Filter	2020618	1
9	Two Way Release Valve	2021832A	1
10	Single Locking Release Valve	67282345	2
11	Valve, Pilot Operated Check	2021835	1
12	Valve, Pressure Control	2021834	1
13	Return Pipe	2021825	1
14	Check Valve	2021826	1
15	Pump Filter	2018681	1
16	Clamp For Oil Reservoir	2009743	1
17	Breather Cap	2021824	1
18	Oil Reservoir	2021823	1
19	Plug	2021827	1
20	Adaptor (Male ¼ BSPP; Male ¼ JIC)	EA6018	1
21	Fitting (Male ¼ BSPP; Female ¼ JIC)	EA6019	1
22	Fitting (Male ¼ BSPP; Female ⅜ JIC)	EA6021	1
23	Adaptor (Male ¼ BSPP; Male ⅜ JIC)	EA6020	1
24	Kit, Pressure Gauge	80-1115-202	1
25	Elbow, 90°, ¼" JIC Female, ¼" BSPP Male	EA6033	2
26	Adapter ½" NPT	OS3121329	1
27	Elbow, 90°, 3/8" JIC Female, 3/8" BSPP Male	EA6028	2

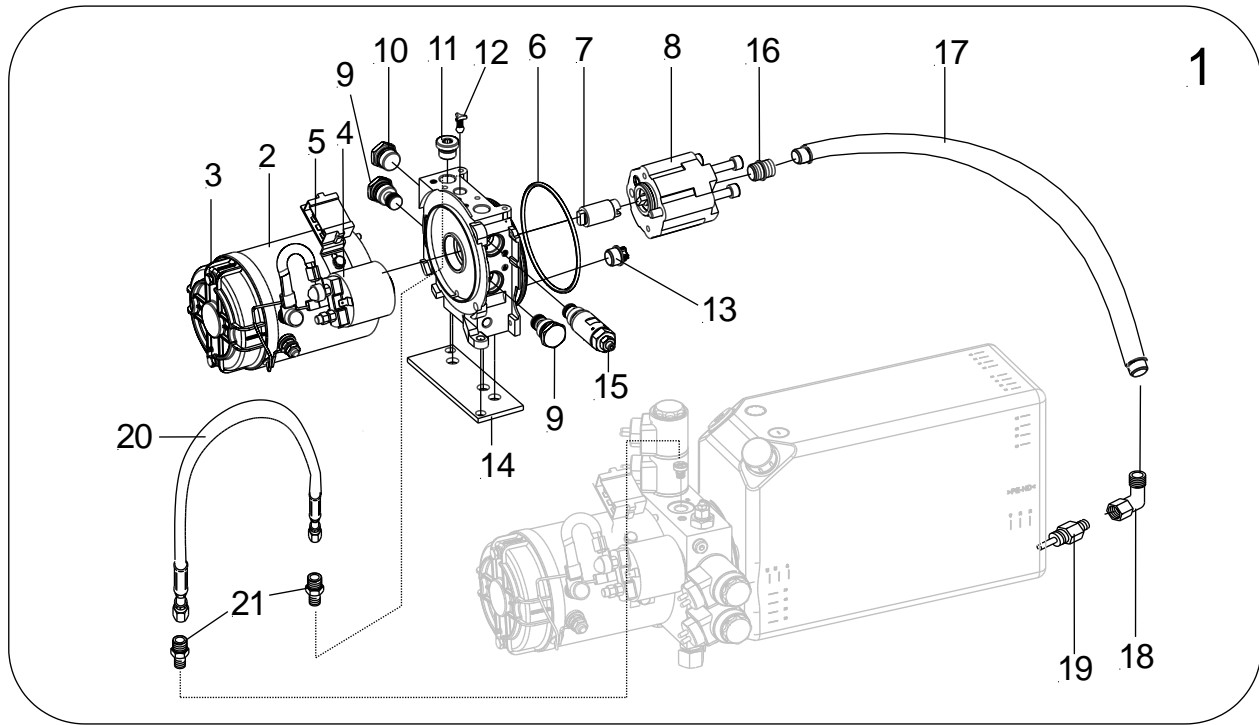
Palfinger Liftgates, LLC.  
 15939 Piuma Ave, Cerritos, CA 90703  
 Tel: (888) 774-5844, Fax: (562) 924-8318

Palfinger Liftgates, LLC.  
 572 Whitehead Road, Trenton, NJ 08619  
 Tel: (609) 587-4200, Fax: (609) 587-4201



**Built to Deliver - Every Time**

**24 Pump and Motor - Dual Pump (Prior 2018)**



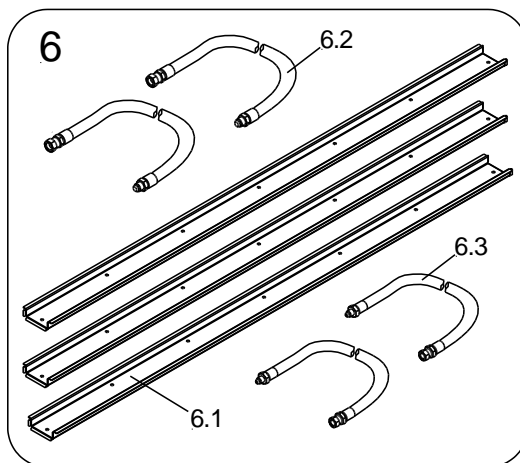
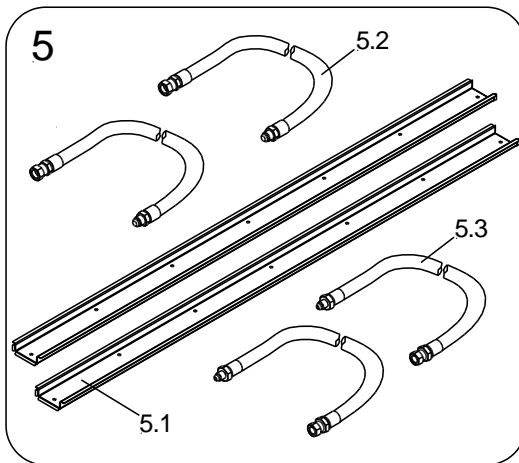
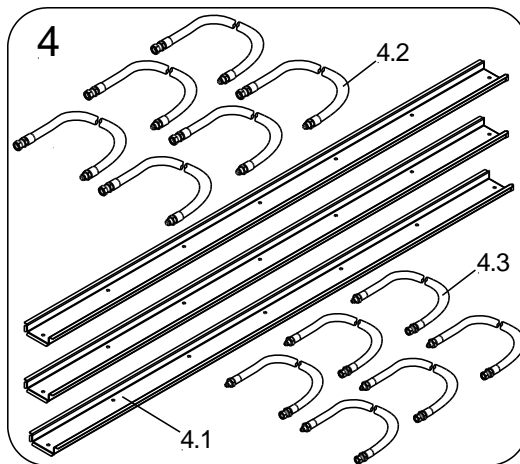
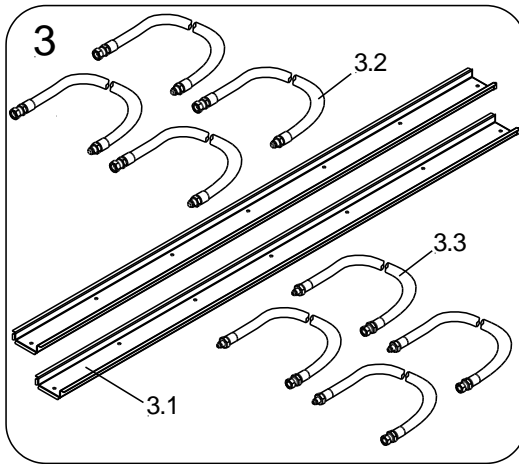
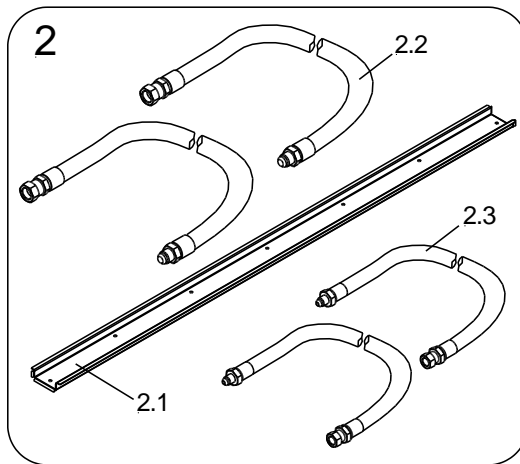
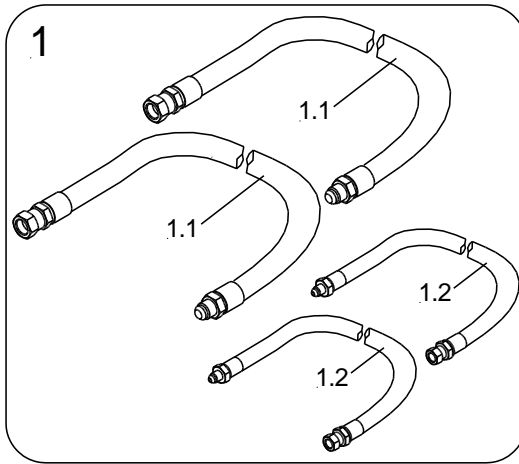
24 – PUMP AND MOTOR – DUAL PUMP (SECONDARY)			
NO.	DESCRIPTION	PART NO.	QTY.
1	Power Pack- Pump & Motor	2019905	1
2	Motor	2020866	1
3	Carbon Brushes Kit	1410330	1
4	Motor Solenoid, 12v	1404303	1
	Motor Solenoid, 24v	1404302	1
5	Terminal Block	68354986	1
6	Seal Ring	2009743	1
7	Coupler	2021842	1
8	Pump - MBB	2020618	1
9	Port Plug	2021838	1
10	Plug, Hydraulic, Replace Kit	HV 773	1
11	Plug	2021840	1
12	Check Valve	2021841	1
13	Plastic Plug	9082518000	1
14	Rubber Plate	2021843	1
15	Pressure Sensing Valve	2021839	1
16	Adaptor (Male 3/8 JIC; Male 3/8 BSPP)	3121324	1
17	Hose - Second Pump To Oil Reservoir	3121325	1
18	90° Fitting (Male 3/8 JIC; Female 3/8 JIC)	EA6028	1
19	Fitting - Filter Included	3121326	1
20	Hose - Hydraulic	3121321	1
21	Adaptor (Male 1/4 BSPP; Male 3/8 JIC)	EA6020	1

Palfinger Liftgates, LLC.  
 15939 Piuma Ave, Cerritos, CA 90703  
 Tel: (888) 774-5844, Fax: (562) 924-8318

Palfinger Liftgates, LLC.  
 572 Whitehead Road, Trenton, NJ 08619  
 Tel: (609) 587-4200, Fax: (609) 587-4201

**Built to Deliver - Every Time**

**25 Hydraulic Hose Kits**



Palfinger Liftgates, LLC.  
15939 Piuma Ave, Cerritos, CA 90703  
Tel: (888) 774-5844, Fax: (562) 924-8318

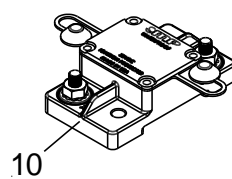
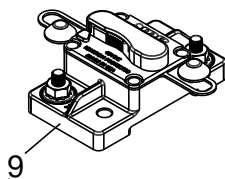
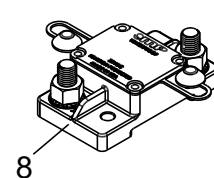
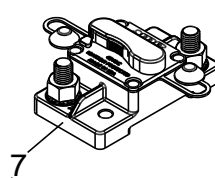
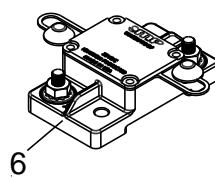
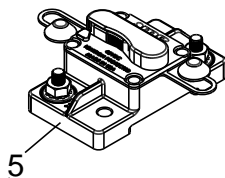
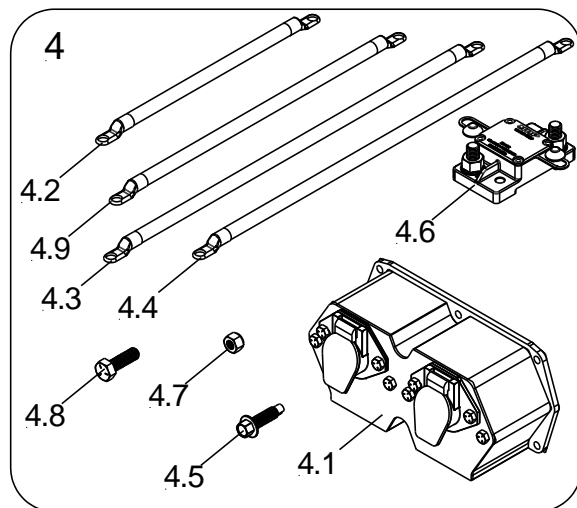
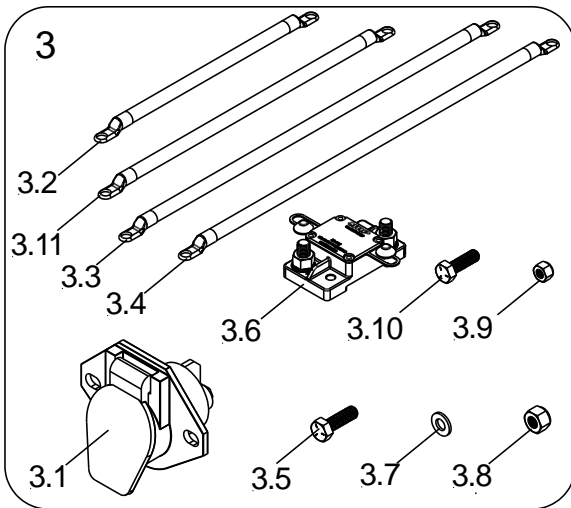
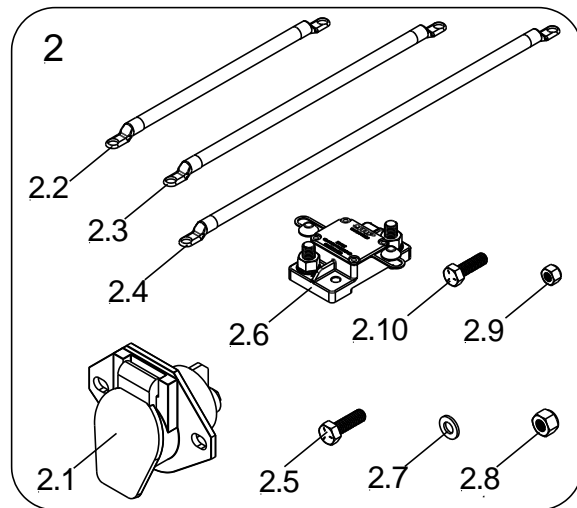
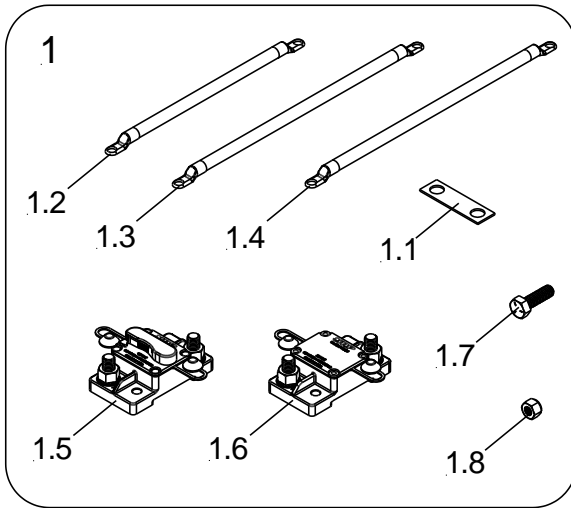
Palfinger Liftgates, LLC.  
572 Whitehead Road, Trenton, NJ 08619  
Tel: (609) 587-4200, Fax: (609) 587-4201

***Built to Deliver - Every Time***

25 – HYDRAULIC HOSE KITS			
NO.	DESCRIPTION	PART NO.	QTY.
<b>1</b>	<b>Kit, 9 Ft. Hose (Standard, Included With ILD+ Liftgate)</b>	<b>80-1113-220</b>	<b>1</b>
1.1	Hose, Hydraulic, 108", 3/8" JIC Male - 3/8" JIC Female	80-1113-203	2
1.2	Hose, Hydraulic, 114", 1/4" JIC Male - 1/4" JIC Female	80-1113-204	2
<b>2</b>	<b>Kit, 9 Ft., With Hat Section</b>	<b>80-1115-110</b>	<b>1</b>
2.1	Hat Section, 97"L	60-1115-015	1
2.2	Hose, Hydraulic, 108", 3/8" JIC Male - 3/8" JIC Female	80-1113-203	2
2.3	Hose, Hydraulic, 114", 1/4" JIC Male - 1/4" JIC Female	80-1113-204	2
<b>3</b>	<b>Kit, 18 Ft. Hose, With Hat Sections</b>	<b>80-1115-111</b>	<b>1</b>
3.1	Hat Section, 97"L	60-1115-015	2
3.2	Hose, Hydraulic, 108", 3/8" JIC Male - 3/8" JIC Female	80-1113-203	4
3.3	Hose, Hydraulic, 114", 1/4" JIC Male - 1/4" JIC Female	80-1113-204	4
<b>4</b>	<b>Kit, 27 Ft. Hose, With Hat Sections</b>	<b>80-1115-112</b>	<b>1</b>
4.1	Hat Section, 97"L	60-1115-015	3
4.2	Hose, Hydraulic, 108", 3/8" JIC Male - 3/8" JIC Female	80-1113-203	6
4.3	Hose, Hydraulic, 114", 1/4" JIC Male - 1/4" JIC Female	80-1113-204	6
<b>5</b>	<b>Kit, 24 Ft. Hose Extension, With Hat Sections</b>	<b>80-1115-113</b>	<b>1</b>
5.1	Hat Section, 97"L	60-1115-015	2
5.2	Hydraulic Hose Extension, 288", 3/8" JIC Male - 3/8" JIC Female	80-1113-603	2
5.3	Hydraulic Hose Extension, 288", 1/4" JIC Male - 1/4" JIC Female	80-1113-604	2
<b>6</b>	<b>Kit, 38 Ft. Hose Extension, With Hat Sections</b>	<b>80-1115-114</b>	<b>1</b>
6.1	Hat Section, 97"L	60-1115-015	3
6.2	Hydraulic Hose Extension, 456", 3/8" JIC Male - 3/8" JIC Female	80-1113-703	2
6.3	Hydraulic Hose Extension, 456", 1/4" JIC Male - 1/4" JIC Female	80-1113-704	2

**Built to Deliver - Every Time**

**26 Trailer/Truck Charge Kits**



**Built to Deliver - Every Time**

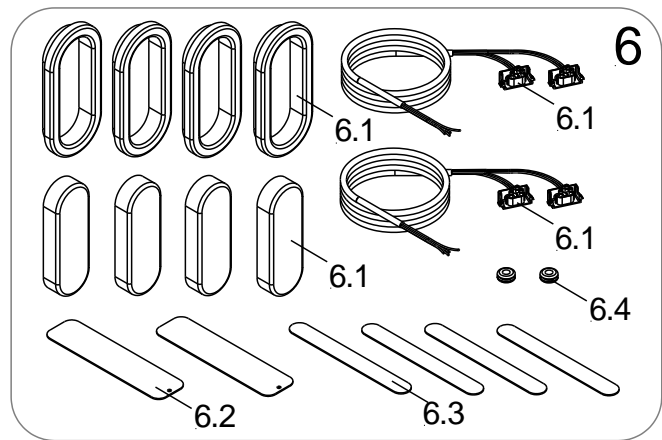
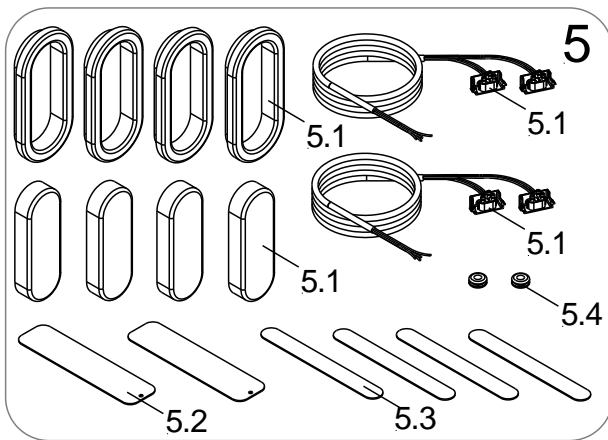
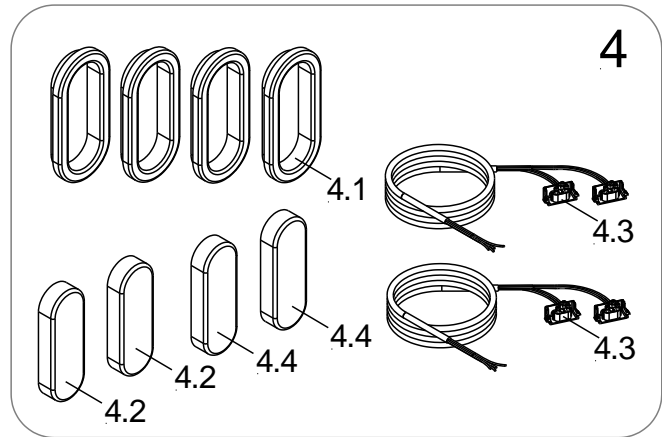
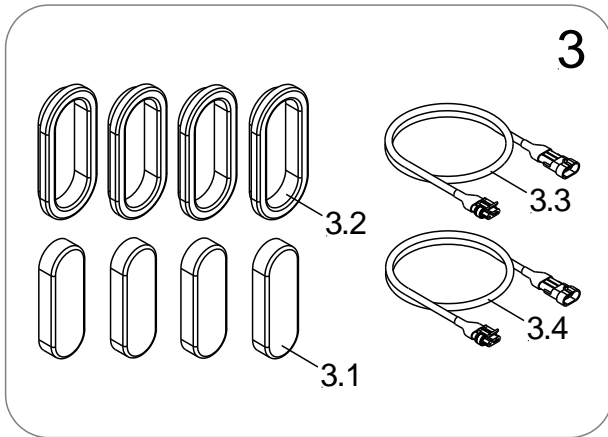
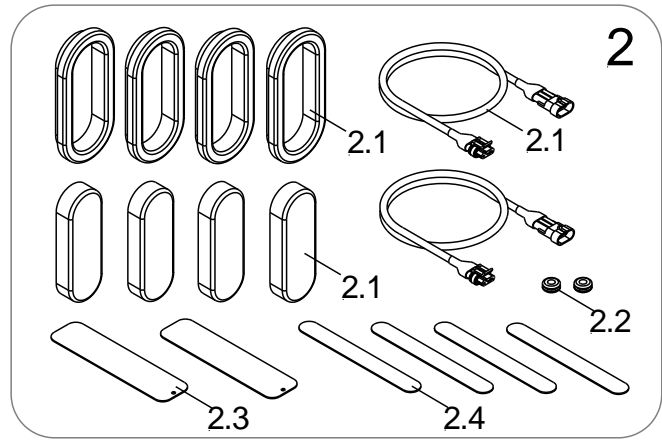
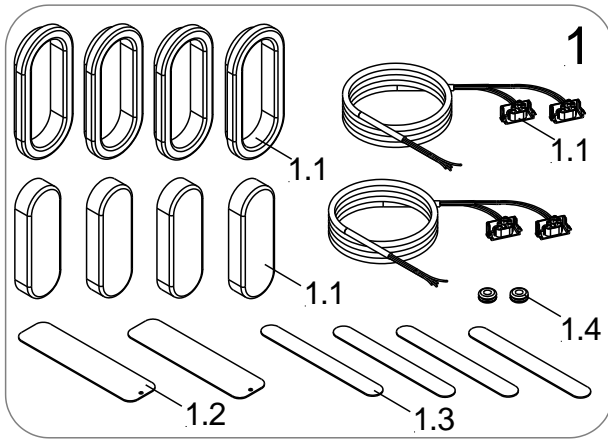
<b>26- TRAILER/TRUCK CHARGE KITS</b>			
<b>NO.</b>	<b>DESCRIPTION</b>	<b>PART NO.</b>	<b>QTY.</b>
<b>1</b>	<b>Kit, Truck, 40ft Electrical</b>	<b>70-1115-100</b>	<b>1</b>
1.1	Bus Bar	70-8013-025	1
1.2	Cable, 2GA, 18", 3/8" Lugs, Red	KET05919A	1
1.3	Cable, 2GA, 74", 3/8" Lugs, Black	KET05925A	1
1.4	Cable, 2GA; 480", 3/8" Lugs, Red	KET06314A	1
1.5	Circuit Breaker, 175A, 3/8" Studs, Manual Reset	70-8114-009	1
1.6	Circuit Breaker 175A, 3/8" Studs, Auto Reset	70-8114-008	1
1.7	Hex Head Cap Screw, 1/4-20x1.0", Gr.5, Zinc	ES3443	4
1.8	Nut, Nylock 1/4-20, Zinc	EM 722	4
<b>2</b>	<b>Kit, Trailer, Single Pole</b>	<b>70-1115-101</b>	<b>1</b>
2.1	Socket; Single Pole	70-8015-019	1
2.2	Cable, 2GA, 18", 3/8" Lugs, Red	KET05919A	1
2.3	Cable, 2GA, 74", 3/8" Lugs, Black	KET05925A	1
2.4	Cable, 2GA; 480", 3/8" Lugs, Red	KET06314A	1
2.5	Hex Head Cap Screw, 5/16-18x1"	ES3724	2
2.6	Circuit Breaker 175A, 3/8" Studs, Auto Reset	70-8114-008	1
2.7	Washer, Flat, 5/16"	EK3217	4
2.8	Nut, Nylock, 5/16-18	EM 710	2
2.9	Nut, Nylock 1/4-20 Zinc	EM 722	2
2.10	Hex Head Cap Screw, 1/4-20x1.0", Gr.5, Zinc	ES3443	2
<b>3</b>	<b>Kit, Trailer, Dual Pole</b>	<b>70-1115-102</b>	<b>1</b>
3.1	Socket; Dual Pole	70-8015-018	1
3.2	Cable, 2GA, 18", 3/8" Lugs, Red	KET05919A	1
3.3	Cable, 2 GA, 480", 3/8" Lugs, Black	KET05701A	1
3.4	Cable, 2 GA; 480", 3/8" Lugs, Red	KET06314A	1
3.5	Hex Head Cap Screw, 5/16-18x1"	ES3724	2
3.6	Circuit Breaker 175A, 3/8" Studs, Auto Reset	70-8114-008	1
3.7	Washer, Flat, 5/16"	EK3217	4
3.8	Nut, Nylock, 5/16-18	EM 710	2
3.9	Nut, Nylock, 1/4-20, Zinc	EM 722	2
3.10	Hex Head Cap Screw, 1/4-20x1.0", Gr.5, Zinc	ES3443	2
3.11	Cable, 2GA, 74", 3/8" Lugs, Black	KET05925A	1
<b>4</b>	<b>Kit, Trailer, Dual Nosebox</b>	<b>70-1115-103</b>	<b>1</b>
4.1	Nosebox, Single & Dual Pole Socket	70-8015-020	1
4.2	Cable, 2GA, 18", 3/8" Lugs, Red	KET05919A	1
4.3	Cable, 2GA, 480", 3/8" Lugs, Black	KET05701A	1
4.4	Cable, 2GA; 480", 3/8" Lugs, Red	KET06314A	1
4.5	Hex Head Cap Screw, Tapping, 5/16-18x1.25"	ES3733	6
4.6	Circuit Breaker, 175A, 3/8" Studs, Auto Reset	70-8114-008	1
4.7	Nut, Nylock 1/4-20 Zinc	EM 722	2
4.8	Hex Head Cap Screw, 1/4-20x1.0", Gr.5, Zinc	ES3443	2
4.9	Cable, 2GA, 74", 3/8" Lugs, Black	KET05925A	1
5	Circuit Breaker 175A, 1/4" Studs, Manual Reset	70-8115-000	1
6	Circuit Breaker 175A, 1/4" Studs, Auto Reset	70-8115-001	1
7	Circuit Breaker 150A, 3/8" Studs, Manual Reset	70-8115-002	1
8	Circuit Breaker 150A, 3/8" Studs, Auto Reset	70-8115-003	1
9	Circuit Breaker 150A, 1/4" Studs, Manual Reset	70-8115-004	1
10	Circuit Breaker 150A, 1/4" Studs, Auto Reset	70-8115-005	1

Palfinger Liftgates, LLC.  
 15939 Piuma Ave, Cerritos, CA 90703  
 Tel: (888) 774-5844, Fax: (562) 924-8318

Palfinger Liftgates, LLC.  
 572 Whitehead Road, Trenton, NJ 08619  
 Tel: (609) 587-4200, Fax: (609) 587-4201

**Built to Deliver - Every Time**

**27 Light Kits**

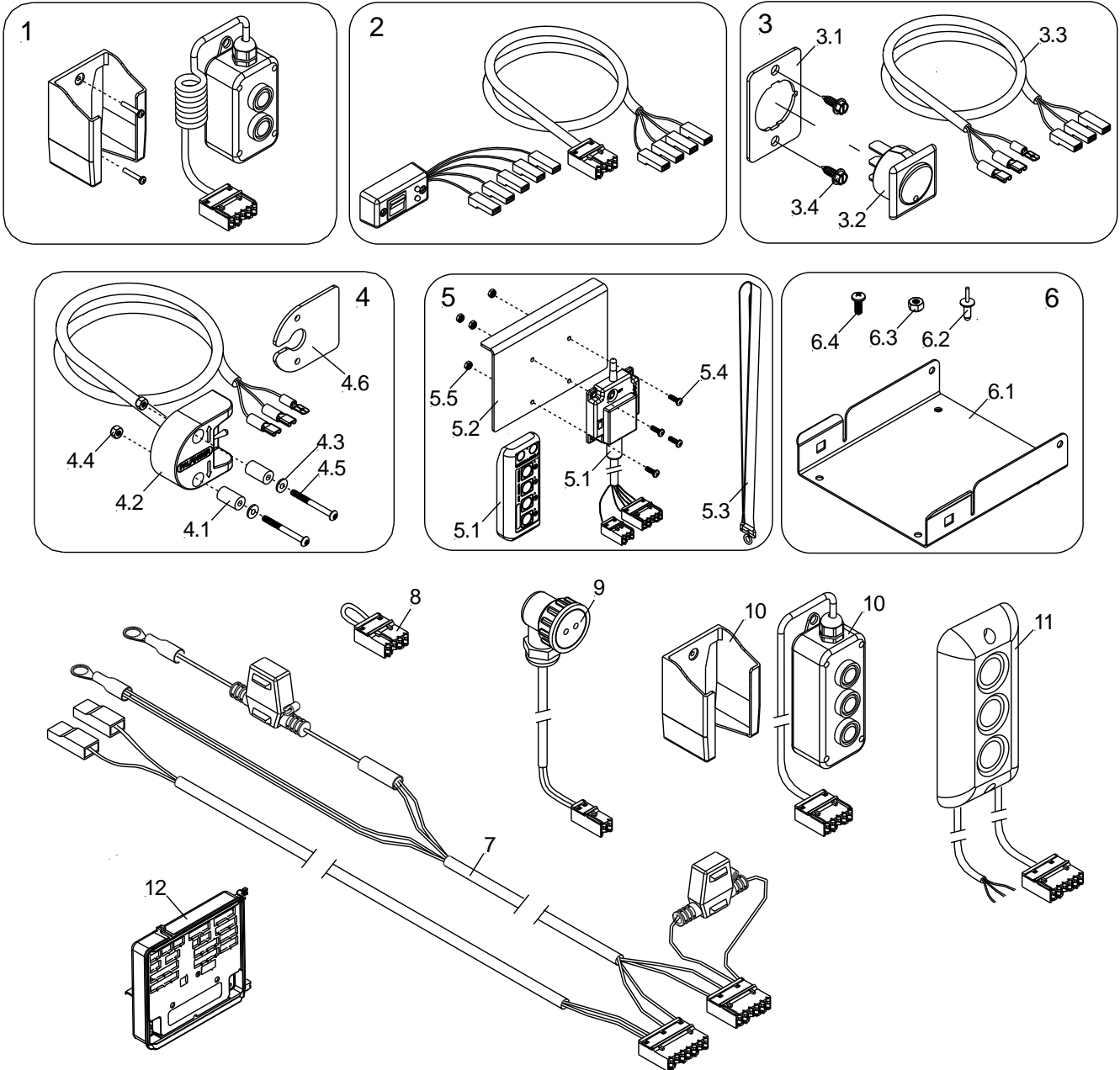


**Built to Deliver - Every Time**

27 - LIGHT KITS			
NO.	DESCRIPTION	PART NO.	QTY.
<b>1</b>	<b>Kit, ILD Strobe, Amber, Red</b>	<b>02-1111-200</b>	<b>1</b>
1.1	Light Kit; Amber Strobe	70-8016-101	1
1.2	Plate, Led Cable Cover	02-1110-204	2
1.3	Tape, Double Sided	EZ6097	1
1.4	Grommet; 3/4" Hole, 5/8" ID	EK3401	2
<b>2</b>	<b>Kit, Led Lights, Red, Maxi Seal Harness</b>	<b>70-8014-500</b>	<b>1</b>
2.1	Light Kit, ILD All Red	70-8016-100	1
2.2	Grommet, Rubber	EK3196	2
2.3	Plate, LED Cable Cover	02-1110-204	2
2.4	Tape, Double Sided	EZ6097	1
<b>3</b>	<b>Kit, Red Lights, Maxi Seal</b>	<b>70-8016-100</b>	<b>1</b>
3.1	Light, Red Led Oval	60-8114-003	4
3.2	Grommet, Light, Oval Led	60-8114-004	4
3.3	Harness, Maxi-Seal, Stop, 6ft	70-8114-001	1
3.4	Harness, Maxi-Seal, Turn, 6ft	70-8114-002	1
<b>4</b>	<b>Kit, Led Light, Amber, Red</b>	<b>70-8016-101</b>	<b>1</b>
4.1	Grommet, Light, Oval Led	60-8114-004	4
4.2	Light-Led Red Tail/Stop	70-0714-002	2
4.3	Harness, ILD	70-0714-004	2
4.4	Light, Amber, Oval Led	70-1116-003	2
<b>5</b>	<b>Kit, Led Light, Red, Optronics</b>	<b>70-8114-006</b>	<b>1</b>
5.1	Light Kit; Red	70-8015-015	1
5.2	Plate, Led Cable Cover	02-1110-204	2
5.3	Tape, Double Sided	EZ6097	1
5.4	Grommet; 3/4"Hole 5/8"ID	EK3401	2
<b>6</b>	<b>Kit, Light, Red, White, Optronics</b>	<b>70-8114-007</b>	<b>1</b>
6.1	Light Kit; Red/White	70-8015-010	1
6.2	Plate, Led Cable Cover	02-1110-204	2
6.3	Tape, Double Sided	EZ6097	1
6.4	Grommet; 3/4"Hole 5/8"ID	EK3401	2

**Built to Deliver - Every Time**

**28 Controls**





**Built to Deliver - Every Time**

28 - CONTROLS			
NO.	DESCRIPTION	PART NO.	QTY.
1	Kit, 2-Button Hand Control To J31	70-1116-000	1
2	Kit, Cab Shut Off Switch	70-1113-200	1
<b>3</b>	<b>Kit, Shutoff Switch, Cab, Truck</b>	<b>70-0312-100</b>	<b>1</b>
3.1	Bracket, Cab Shut-Off Switch	70-1012-001	1
3.2	Switch, Rocker, Cab Shutoff	70-1012-002	1
3.3	Harness, 3-Wire, 46ft [14 Meters]	2025982	1
3.4	Sheet Metal Screw, #8x1/2", Hex Washer, Zinc	ES3748	2
3.5	Decal	ATG-CAB	1
3.6	Jumper Wire, Ground	70-0312-002	1
<b>4</b>	<b>Kit, Toggle Switch</b>	<b>80-1113-303</b>	<b>1</b>
4.1	Spacer, 0.5" OD, 0.192" ID	99-8813-067	2
4.2	Toggle Switch	2004565	1
4.3	Washer, Flat #10, Zinc	99-8813-072	2
4.4	Nut, Nylock, #10-24, Gr.5, Zinc	EM-697	2
4.5	Button Head Cap Screw, 10-24 X 2", Zinc	99-8813-070	2
4.6	Backing Plate, Toggle Switch	03-1111-121	1
<b>5</b>	<b>Kit, Wireless Remote, 4-Way Operation</b>	<b>70-1115-000</b>	<b>1</b>
5.1	Wireless Remote, Receiver With J31 & J41 Connectors	2037293	1
5.2	Bracket, Receiver Mount	70-1115-001	1
5.3	Lanyard	60-7515-010	1
5.4	Pan Head Screw, Machine, #10-32 X 5/8"	ES3469	4
5.5	Nut, Nylock, #10-32	EM 702	4
<b>6</b>	<b>Kit, M-Board Bracket (Convert K+Board To M-Board)</b>	<b>70-1113-502</b>	<b>1</b>
6.1	Bracket, Mounting, M-Board	70-1113-501	1
6.2	Rivet, 3/16"X.45"	99-8814-004	4
6.3	Nut, Nylock, #10-24, Zinc	99-8813-071	4
6.4	Machine Screw, #10-24 X 1/2"	99-8814-005	4
7	Harness, Power, J1, J2	2020040	1
8	Jumper, J11	2020042	1
9	Harness, Release Valve To JK	2020041	1
10	3-Button Hand Control w/Holster To J31	2020039	1
11	3-Button Flush Mount Control To J30	2020653	1
12	Control Board, M-Board, PCB	2029092	1

# Built to Deliver - Every Time

29

## Decals

**1 OPERATING INSTRUCTIONS**  
Read all Decals and Owner's Manual before operating liftgate.

**ILD - 2 PC FOLDING PLATFORMS**

- Power liftgate by turning the master disconnect switch to the "ON" position. Switch is located on the pump box.
- Be certain operating area around platform is clear before operating liftgate.
- Using the "UP" button, power the platform up so that it is completely out of the travel lock.
- Using the "DOWN" button and "OPEN" button simultaneously, power open platform.
- Using the "Down" button twice (within 3 seconds) for power down (use power down with no load on platform).

- With the platform open power platforms all the way up.
- Push the "UP" button and "CLOSE" button simultaneously to close the platform.
- Using the "DOWN" button, push down twice (within 3 seconds) and power down platform past the Travel Lock.
- Using the "UP" button, power platform up to lift the lock Catch.
- Power platform up until Travel Ear clears the Travel Lock slot.
- Use the "Down" button, push down twice (within 3 seconds) to power down Travel Ear into the Travel Lock slot.
- Turn off power to liftgate by turning the master disconnect switch, located on the pump box to the "OFF" position.

- Turn on power to liftgate by turning on the master disconnect switch, located on the pump box to the "ON" position.
- Using the "UP" button, power platform up so that it is completely out of the travel locks.
- Using the "DOWN" button power the platform down until the platform is level with the truck floor and hits the Dock Stops.
- When finished Dock Loading, be certain to raise the platform to travel position before pulling truck away from dock.

**2 OPERATING INSTRUCTIONS**  
Read all Decals and Owner's Manual before operating liftgate.

**ILD-BG**

- Turn on power to liftgate by turning on the master disconnect switch, located on the pump box to the "ON" position.
- Be certain operating area around platform is clear before operating liftgate.
- Using the "UP" button, power platform up until 3 steps at the top most position.
- Using the "DOWN" button and "OPEN/CLOSE" button simultaneously, power open platform.
- Using the "Down" button twice (within 3 seconds) for power down (use power down with no load on platform).

- With the platform open power platform up until 3 steps at the top most position.
- Using the "UP" button and the "OPEN/CLOSE" button simultaneously, power close platform.
- Using the "DOWN" button, push down twice (within 3 seconds) and power down platform into the Travel Locks.
- Turn off power the liftgate by turning the master disconnect switch, located on the pump box, to the "OFF" position.

- Turn on power to liftgate by turning the master disconnect switch, located on the pump box to the "ON" position.
- Disable Dock/Platform:** Using the "UP" button, power platform up until 3 steps at the top most position.
- Using the "DOWN" button and the "OPEN/CLOSE" button simultaneously, power open platform to a level below the dock.
- Using the "UP" button, power platform up until 3 steps at the top most position.
- Using the "UP" button and the "OPEN/CLOSE" button simultaneously, power close platform.
- Using the "DOWN" button, push down twice (within 3 seconds) and power down platform into the Travel Locks.
- Turn off power the liftgate by turning the master disconnect switch, located on the pump box, to the "OFF" position.

**3 OPERATING INSTRUCTIONS**  
Read all Decals and Owner's Manual before operating liftgate.

**ILD / ILD-BG**

**4 URGENT WARNING**

**BEFORE OPERATING LIFT, BE SURE YOU UNDERSTAND:**

- Improper operation of this lift gate can result in serious personal injury. Do not operate unless you have been properly instructed, have read, and are familiar with the operating instructions. If you do not have a copy of the instructions please obtain them from your supplier, distributor or dealer, as appropriate, before you attempt to operate the lift gate.
- Be certain the vehicle is properly and securely braked before using the liftgate.
- Always inspect this lift gate for maintenance or damage before using it. If there are signs of improper maintenance, change to that part, or a backup platform surface, do not use the lift gate. Do not attempt your own repairs, unless you are specifically trained.
- Do not overload. See the Weight, Load and/or Rating Label on the unit for the rated load. Remember that this label applies to both raising and lowering operations.
- Each lift should be placed in a stable position as near as possible to the level of the platform.
- Never allow yourself or anyone else to stand in a position where an unstable load could fall on you. Do not allow any part of your body, legs, or feet to be in a position that would trap them between any parts when the lift gate is extended.
- This lift gate is intended for loading and unloading of cargo only. Do not use this lift gate for anything but its intended use. This lift gate is equipped with a back-up system to prevent falling in the event of a failure.

**6 WARNING**

**ALWAYS STAND CLEAR OF PLATFORM AREA**

**5 WARNING**

**LIFTGATE HAZARDS CAN RESULT IN CRUSHING OR FALLING.**

**KEEP HANDS AND FEET CLEAR OF PINCH POINTS.**

**IF RIDING LIFTGATE, MAKE SURE LOAD IS STABLE AND FOOTING IS SOLID.**

**READ AND UNDERSTAND ALL INSTRUCTIONS AND WARNINGS BEFORE USE.**

**7 NOTICE**

**ELECTRICAL SYSTEM IS PROTECTED BY A RESETTABLE CIRCUIT BREAKER. SEE OWNER'S MANUAL AND LABEL LOCATED AT THE BATTERY.**

**8 NOTICE**

**ELECTRICAL SYSTEM PROTECTED BY RESETTABLE CIRCUIT BREAKER TO RESET - DO NOT REPEAT 158.36.**

**9 NOTICE**

**OPEN AND CLOSE LIFTGATE WITH PLATFORM FULLY RAISED**

**10 NOTICE**

**UP**  
**DOWN**

**11 CAUTION**

**MAXIMUM LOAD CAPACITY XXXX LBS.**

**CENTER LOAD ON PLATFORM TO AVOID PERSONAL OR PROPERTY DAMAGE**

**12**

**ALIGN ARROWS TO OPEN & CLOSE PLATFORM**

**13 ILD Electrical Schematic:**

**15 PALFINGER**

**14 ILD+ PREMIUM M-BOARD FAULT CODES**

Code	Description	Message	Priority	Priority 1	Priority 2	Priority 3	Priority 4	Priority 5
1	System OK - Control System: OFF	System OK - Control System: OFF	System OK	System OK	System OK	System OK	System OK	System OK
2	Low Voltage	Voltage at P1 Pin 3 too low	Warning	Warning	Warning	Warning	Warning	Warning
7	Short in Cab Switch (On-Off switch or Aux port)	Power consumption at P1 Pin 3 to High	Warning	Warning	Warning	Warning	Warning	Warning
8	General Short	General power consumption to High	Warning	Warning	Warning	Warning	Warning	Warning
9	Defeat in motor activated during lifting	Power consumption at P1 Pin 3 to High	Warning	Warning	Warning	Warning	Warning	Warning
9	Fuse (S) damaged on power gate (P1 Pin 2)	Defective fuse at P1 Pin 2	Warning	Warning	Warning	Warning	Warning	Warning
b	Defective motor activated	Power consumption at P1 Pin 3 to High	Warning	Warning	Warning	Warning	Warning	Warning
c	During operation, an error on the motor activated	Power consumption at P1 Pin 3 to High	Warning	Warning	Warning	Warning	Warning	Warning
P	Error diagnostic module active	(Reserved warning plug)	Warning	Warning	Warning	Warning	Warning	Warning

***Built to Deliver - Every Time***

<b>29 - DECALS</b>			
<b>NO.</b>	<b>DESCRIPTION</b>	<b>PART NO.</b>	<b>QTY.</b>
1	OPERATING INSTRUCTIONS-STANDARD	ATG OPER-ILD	1
2	OPERATING INSTRUCTIONS-BOTTLE GAS	ATG-OPER-ILD-BG-2	1
3	OPERATIONAL INSTRUCTION-CONTROLS	ATG-SWILD	1
4	URGENT WARNING DECAL	ATG-URGWA	1
5	WARNING- LIFTGATE HAZARDS	ATG-WLH	2
6	WARNING- STAND CLEAR	ATG-PLAT	2
7	ELECTRICAL SYSTEM	ATG-RESET	1
8	CIRCUIT BREAKER, BLUE	ATG-BKR	1
9	NOTICE FOR OPEN AND CLOSE	ATG-OPENILD	1
10	UP/DOWN	ATG-UD	1
11	LIFTGATE CAPACITY	ATG-XXXX*	2
12	PLATFORM ALIGNMENT ARROWS	ATG-ARWILD	1
13	ELECTRICAL SCHEMATIC	85-1113-100	1
14	DECAL, FAULT CODES, M-BOARD	85-1117-000	1
15	DECAL, PALFINGER LOGO, YELLOW, 6.3"X1.3"	2038837	1

**\*XXXX = LIFTGATE CAPACITY (LBS) [EXAMPLE PART NUMBER: ATG- 3300]**

---

***Built to Deliver - Every Time***



Palfinger Liftgates, LLC.  
15939 Piuma Ave, Cerritos, CA 90703  
Tel: (888) 774-5844, Fax: (562) 924-8318

Palfinger Liftgates, LLC.  
572 Whitehead Road, Trenton, NJ 08619  
Tel: (609) 587-4200, Fax: (609) 587-4201