

PK 65002 SH

**MAXIMUM LIFTING CAPACITY.
HPSC OPENS UP CRANE
APPLICATIONS EVEN IN
TIGHT SPACES.**

LIFETIME EXCELLENCE



LIFETIME EXCELLENCE

PALFINGER loader cranes are convincing due to their superior life-cycle performance. They are the most economical and also the most reliable over the entire product life. From solution finding to resale.

- **Better solutions**
- **Better efficiency**
- **Better ergonomics**
- **Higher availability**
- **More reliability**
- **Better ecology**
- **Higher serviceability**
- **Higher value retention**



UNCOMPROMISING QUALITY RIGHT DOWN TO THE LAST DETAIL

- Maximum reliability due to PAL 150
- More efficiency with fly jib due to DPS Plus
- Maximum precision and safety due to optional AOS
- Increased operating times due to low-maintenance extension system
- Practical and attractive due to Functional Design





PERFECT TOOL WITH SOPHISTICATED KINEMATICS

12 Highlights



Continuous slewing system

Unrestricted movement

More efficient in operation due to faster loading cycles, since the crane can be slewed over a shorter distance. The crane works more efficiently and faster.



Power Link Plus

High variety of uses

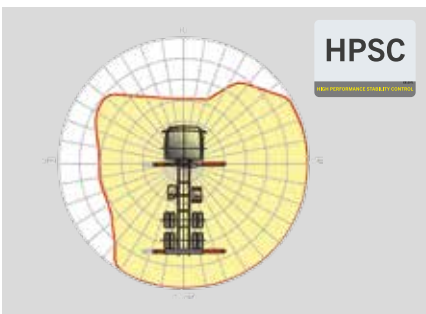
With the 15-degree reverse linkage system, you can reach through low door openings and also work inside buildings. Heavy crane work – even in difficult conditions.



Low-maintenance extension system

Reduces service time

With sliding elements made of synthetic material and the high-quality KTL coating, this boom system significantly simplifies service performed by the operator. This saves time and money – and protects the environment.



HPSC

Maximum utilisation of the working range

The variable stabiliser positioning of the High Performance Stability Control System makes it possible to utilise the lifting capacity to the maximum. It enables working within tight spaces.



S-HPLS

More lifting power when it is really needed

S-HPLS is one of the most important functions of the PALTRONIC 150. It is a fully automatic system for increasing the lifting power. Depending on the need, there is continuous adaptation of the lifting power and speed of the crane.



PALcom P7

Communication with the operator

The new PALcom P7 features a modern, ergonomic design. The centrally located knob „PALdrive“ and a large colour display enables easy and safe operation.



Power Link cable winch

More comfort in cable winch operation

Characterised by low installation height, it is ideal for working inside buildings and transports with the crane boom unfolded. The Comfort Cable Routing reduces set-up times to a minimum.



Functional design

Practical and attractive

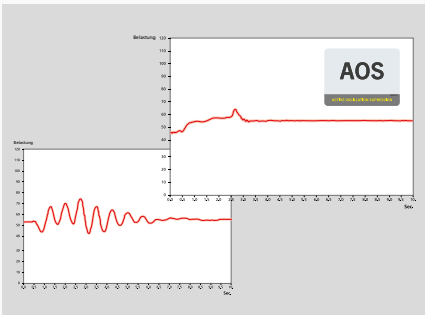
Robust plastic covers protect crane parts against dirt and damage. Better appearance and increased operational comfort – during the entire lifetime.



Coating technology

Top quality surface protection at a glance

The KTL coating lays the foundation for a perfect surface protection. Afterwards the components are either coated in the powder-coating facility or are finished with a two-components-topcoat. High value retention and excellent corrosion protection for the whole life of a crane.



AOS

Maximum precision and safety

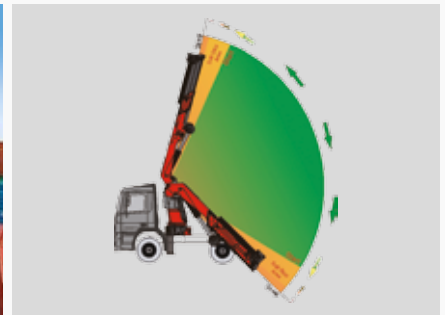
The active oscillation suppression system prevents „post-oscillation“ in the event of rapid braking or load changes. The stress peaks on the extension boom system are reduced and material fatigue and wear are minimised. This increases the resale value.



DPS Plus

More efficient fly-jib operation

The Dual Power System allows multiple uses of the crane both for large outreaches as well as for heavy load operation.



Soft Stop function

More comfort and safety

The Soft Stop function is an electronic limit position damper. It causes gentle braking of all crane movements before the limit position is reached. Hence, jerky movements and load impacts can be avoided. The crane can be operated more gently and precisely.



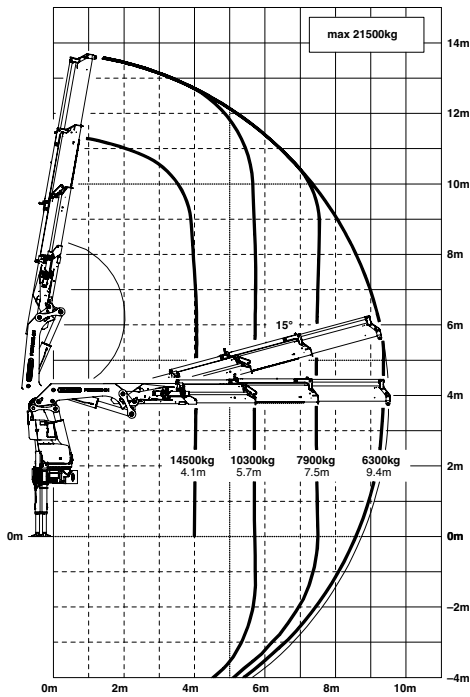
* Optional features / country-specific equipment

PK 65002 SH

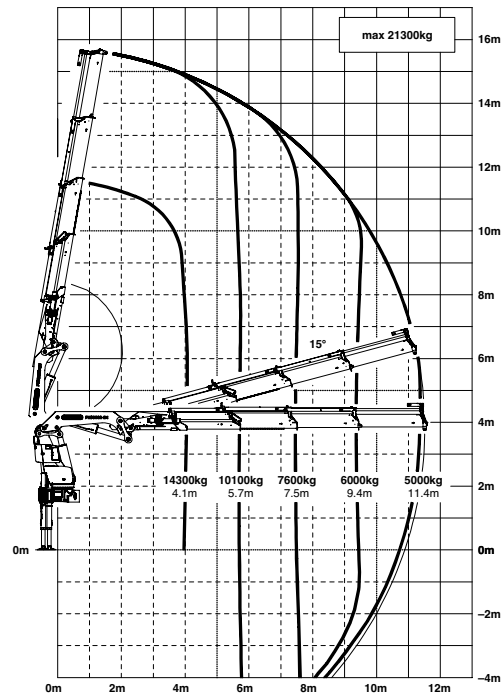
HIGH PERFORMANCE

Outstanding movement geometry.

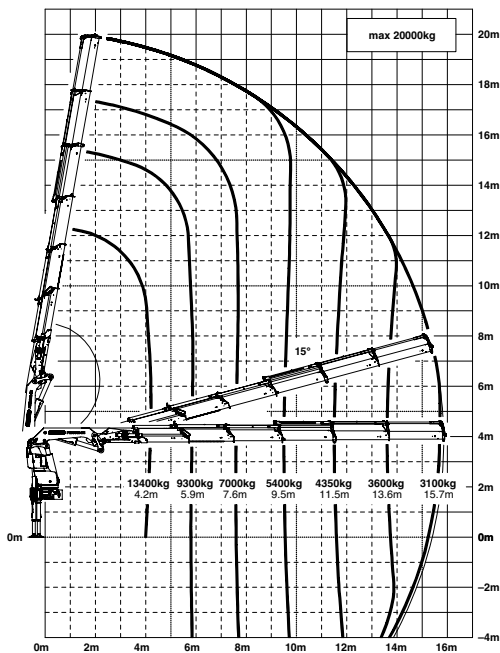
B



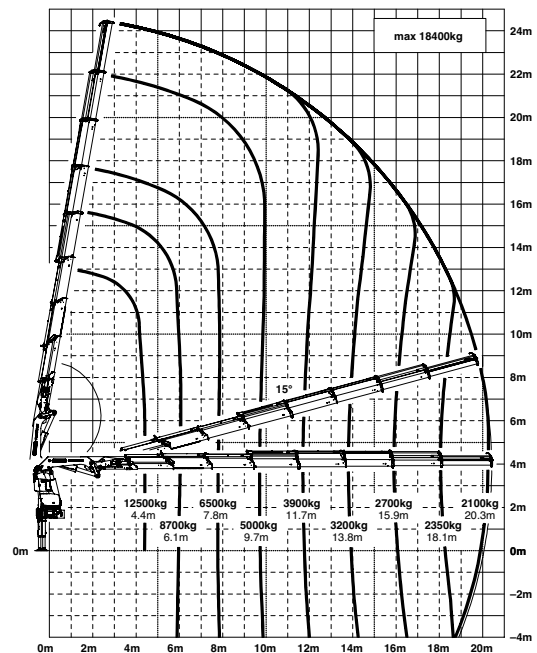
C



E



G



The outreaches stated are with a boom angle of 20° and are therefore not the maximum.

Lifting capacities

max.		21800 kg	48100 lbs	A
4.0 m	13' 1"	14800 kg	32700 lbs	
5.7 m	18' 8"	10600 kg	23400 lbs	
7.4 m	24' 3"	8200 kg	18100 lbs	

max.		21500 kg	47400 lbs	B
4.1 m	13' 5"	14500 kg	32000 lbs	
5.7 m	18' 8"	10300 kg	22700 lbs	
7.5 m	24' 7"	7900 kg	17400 lbs	
9.4 m	30' 10"	6300 kg	13900 lbs	

max.		21300 kg	47000 lbs	C
4.1 m	13' 5"	14300 kg	31400 lbs	
5.7 m	18' 8"	10100 kg	22200 lbs	
7.5 m	24' 7"	7600 kg	16800 lbs	
9.4 m	30' 10"	6000 kg	13300 lbs	
11.4 m	37' 5"	5000 kg	10900 lbs	

max.		20700 kg	45700 lbs	D
4.2 m	13' 9"	13700 kg	30200 lbs	
5.8 m	19' 0"	9600 kg	21200 lbs	
7.6 m	24' 11"	7300 kg	16000 lbs	
9.5 m	31' 2"	5700 kg	12500 lbs	
11.5 m	37' 9"	4650 kg	10200 lbs	
13.6 m	44' 7"	3900 kg	8600 lbs	

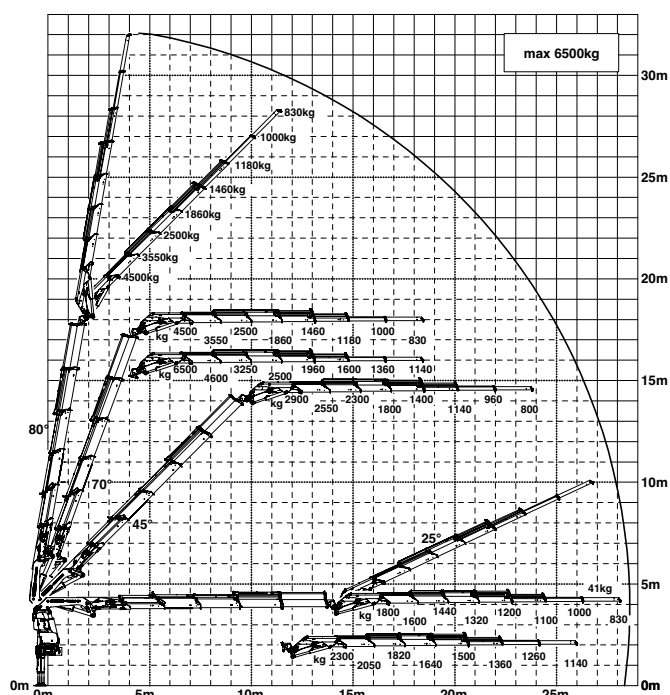
max.		20000 kg	44100 lbs	E
4.2 m	13' 9"	13400 kg	29500 lbs	
5.9 m	19' 4"	9300 kg	20600 lbs	
7.6 m	24' 11"	7000 kg	15300 lbs	
9.5 m	31' 2"	5400 kg	11900 lbs	
11.5 m	37' 9"	4350 kg	9600 lbs	
13.6 m	44' 7"	3600 kg	8000 lbs	
15.7 m	51' 6"	3100 kg	6800 lbs	

max.		19100 kg	42100 lbs	F
4.3 m	14' 1"	12900 kg	28500 lbs	
6.0 m	19' 8"	9000 kg	19900 lbs	
7.7 m	25' 3"	6700 kg	14700 lbs	
9.6 m	31' 6"	5200 kg	11300 lbs	
11.6 m	38' 1"	4100 kg	9100 lbs	
13.7 m	44' 11"	3400 kg	7400 lbs	
15.8 m	51' 10"	2900 kg	6300 lbs	
18.0 m	59' 1"	2500 kg	5600 lbs	

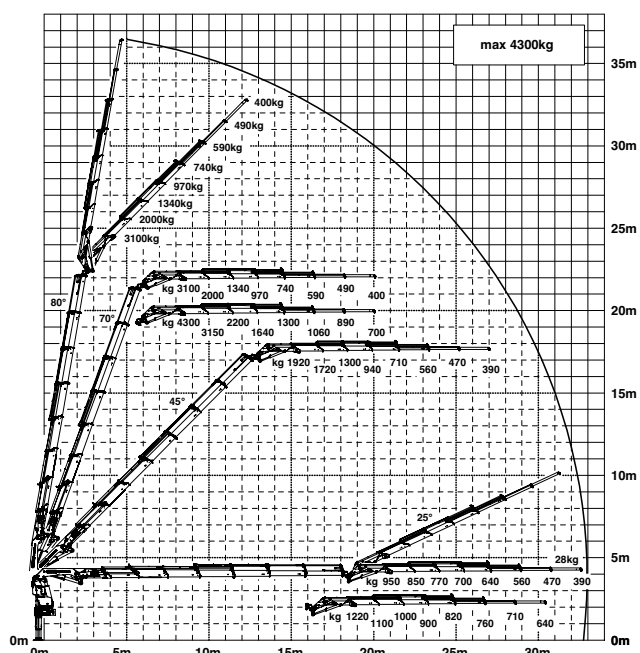
max.		18400 kg	40600 lbs	G
4.4 m	14' 5"	12500 kg	27600 lbs	
6.1 m	20' 0"	8700 kg	19300 lbs	
7.8 m	25' 7"	6500 kg	14200 lbs	
9.7 m	31' 10"	5000 kg	10900 lbs	
11.7 m	38' 5"	3900 kg	8600 lbs	
13.8 m	45' 3"	3200 kg	7000 lbs	
15.9 m	52' 2"	2700 kg	6000 lbs	
18.1 m	59' 5"	2350 kg	5200 lbs	
20.3 m	66' 7"	2100 kg	4600 lbs	
22.6 m*	74' 2"	1780 kg	3900 lbs	
24.9 m*	81' 8"	1000 kg	2200 lbs	

*mechanical extension

D PJ170E JV1 DPS PLUS

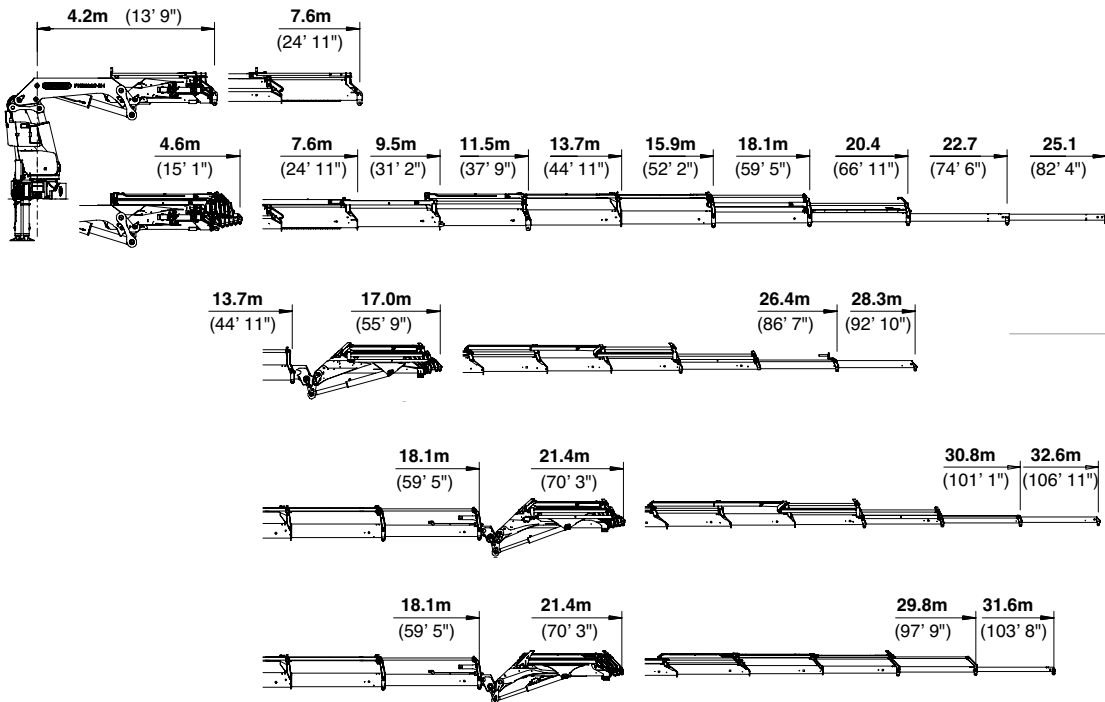


F PJ125E JV1 DPS PLUS

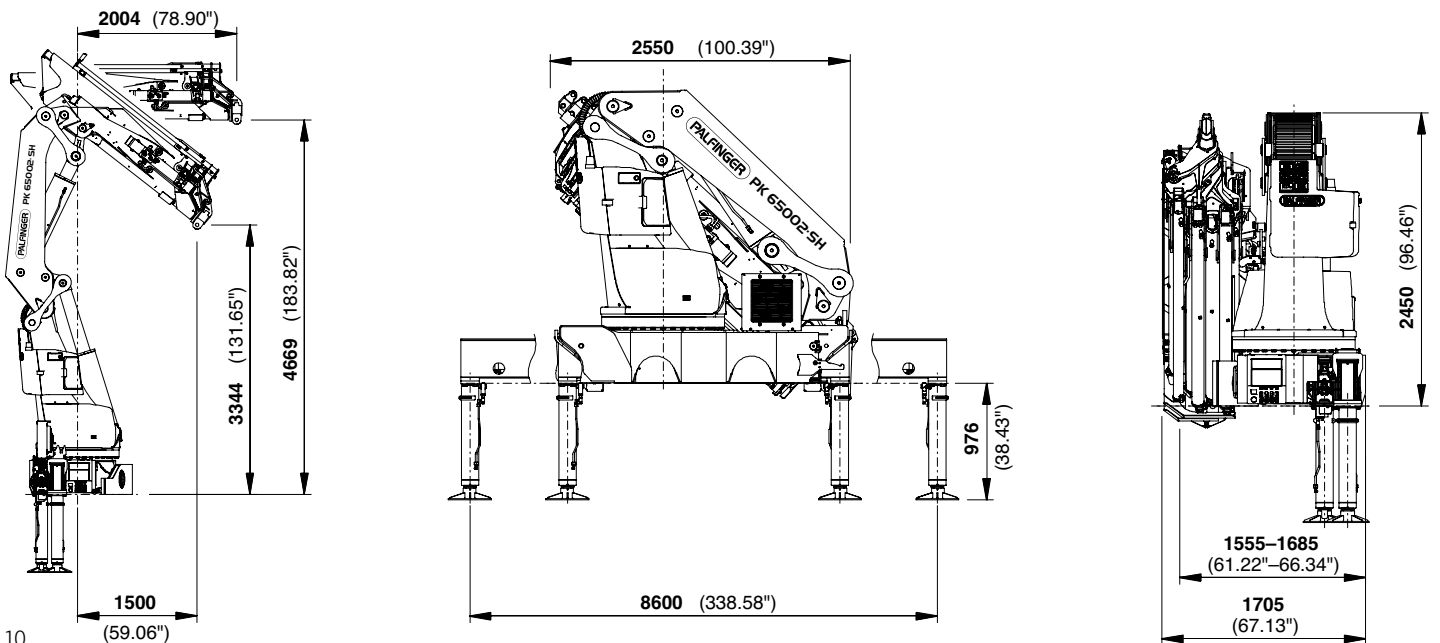


PERFECT DIMENSIONS

EXTENSION BOOM VARIATIONS



DIMENSIONS



Technical specifications

EN 12999 HC1 HD5/B3

PK 65002 SH

Max. lifting moment	62.0 mt / 608.0 kNm	448400 ft.lbs
Max. lifting capacity	22000 kg / 215.8 kN	48500 lbs
Max. hydraulic outreach	20.4 m	66' 11"
Max. manual outreach	25.1 m	82' 4"
Max. outreach (with fly-jib)	32.6 m	106' 11"

D PJ170E JV1 DPS Plus

Slewing angle	continuously variable	
Slewing torque with 1 gear	4.5 mt/44.1 kNm	32560 ft. lbs
Slewing torque with 2 gears	7.0 mt/68,7 kNm	50640 ft. lbs
Stabiliser spread	8,6 m	28' 3"
Fitting space required (std.)	min. 1,56 m/5' 1"	max. 1,71 m/5' 7"
Width folded	2.55 m	8' 4"

E PJ125E JV1

Max. operating pressure	365 bar	5293 psi
Recommended pump capacity	from 100 l/min to 120 l/min	26.4 US gal./min 31.7 US gal./min
Dead weight (std.)	5040 kg	11110 lbs

F PJ125E JV1 DPS Plus



KP-HPK65002SM2+EN

Cranes shown in the leaflet are partially optional equipped and do not always correspond to the standard version. Country-specific regulations must be observed. Dimensions may vary. Subject to technical changes, errors and translation mistakes.