

LOADER CRANE
PK 27002 SH



THE NEW PALCOM P7

MORE COMFORT WITH SRC

LOADER CRANE PK 27002 SH

HOME

OVERVIEW

SPECIAL FEATURES

VIDEO

ABOUT US

EVERYTHING UNDER CONTROL. THE NEW PALCOM P7

When PALFINGER combines its customers' demands and all of the company's expertise into a single product, the outcome can only be revolutionary: the new PALCOM P7, PALFINGER's first in-house development in the field of loader crane remote controls. Ergonomically designed and packed to the hilt with innovative control functions and safety features, this remote control system enables effortless, safe and easy operation.

PALFINGER.COM



THE NEW PALCOM P7

MORE COMFORT WITH SRC

LOADER CRANE PK 27002 SH

HOME

OVERVIEW

SPECIAL FEATURES

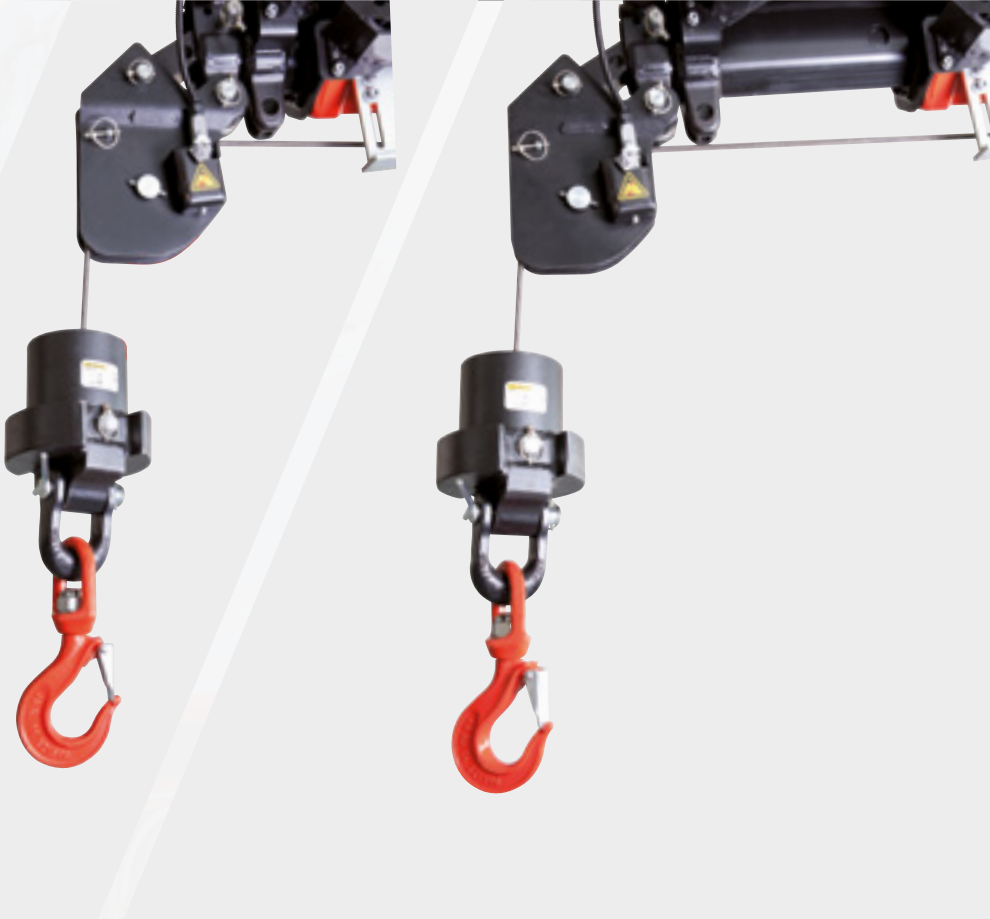
VIDEO

ABOUT US

ROPE WINCH OPERATION

The SRC (Synchronised Rope Control) system maintains a constant distance between the pulley head and the hook block. This advantage is particularly valuable in terms of ease of use for the operator, and it also noticeably improves the efficiency of any assignment.

PALFINGER.COM



THE NEW PALCOM P7

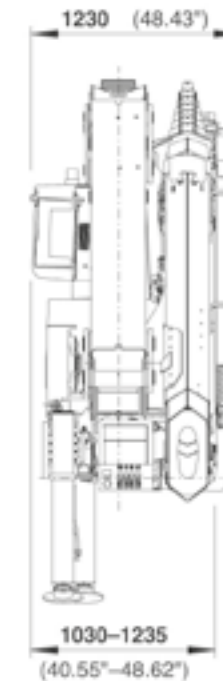
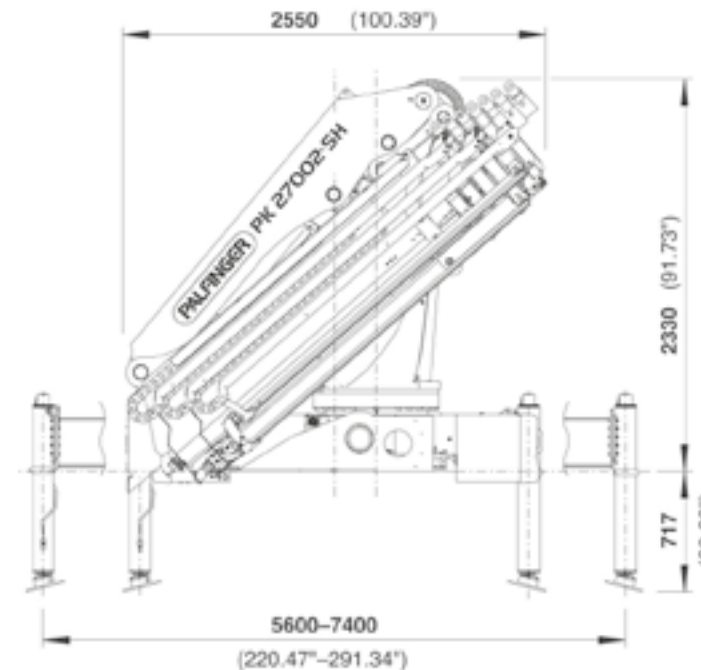
MORE COMFORT WITH SRC

LOADER CRANE PK 27002 SH



FUNCTIONAL DESIGN. PROTECTION FOR SENSITIVE COMPONENTS ENHANCES APPEARANCE AND VALUE RETENTION.

- More efficient and faster due to continuous slewing system
- Additional applications due to Power Link Plus
- Increased operating times due to low-maintenance extension system
- Higher payloads due to intelligent lightweight design
- More comfort and safety due to Soft Stop



LOADER CRANE PK 27002 SH

TECHNICAL SPECIFICATIONS

TECHNICAL SPECIFICATIONS (EN 12999 HC1 HD5/B3)

Max. lifting moment	26.0 mt/255.0 kNm	188060 ft.lbs
Max. lifting capacity	9300 kg/91.2 kN	20500 lbs
Max. hydraulic outreach	21.3 m	69' 11"
Max. manual outreach	23.3 m	76' 5"
Max. outreach (with fly-jib)	29.4 m	96' 5"
Slewing angle	endless	
Slewing torque with 1 gear	2.8 mt/27.5 kNm	20260 ft. lbs
Slewing torque with 2 gears	3.4 mt/33.4 kNm	24600 ft. lbs
Stabiliser spread	std. 5.6 m/18' 4"	max 7.4 m/24' 3"
Fitting space required (std.)	1.01 m	3' 4"
Width folded	2.55 m	8' 4"
Max. operating pressure	365 bar	5293 psi
Recommended pump capacity	from 80 l/min to 110 l/min	21.1 US gal./min 29.1 US gal./min
Dead weight (std.)	2679 kg	5910 lbs

LOADER CRANE PK 27002 SH

HOME

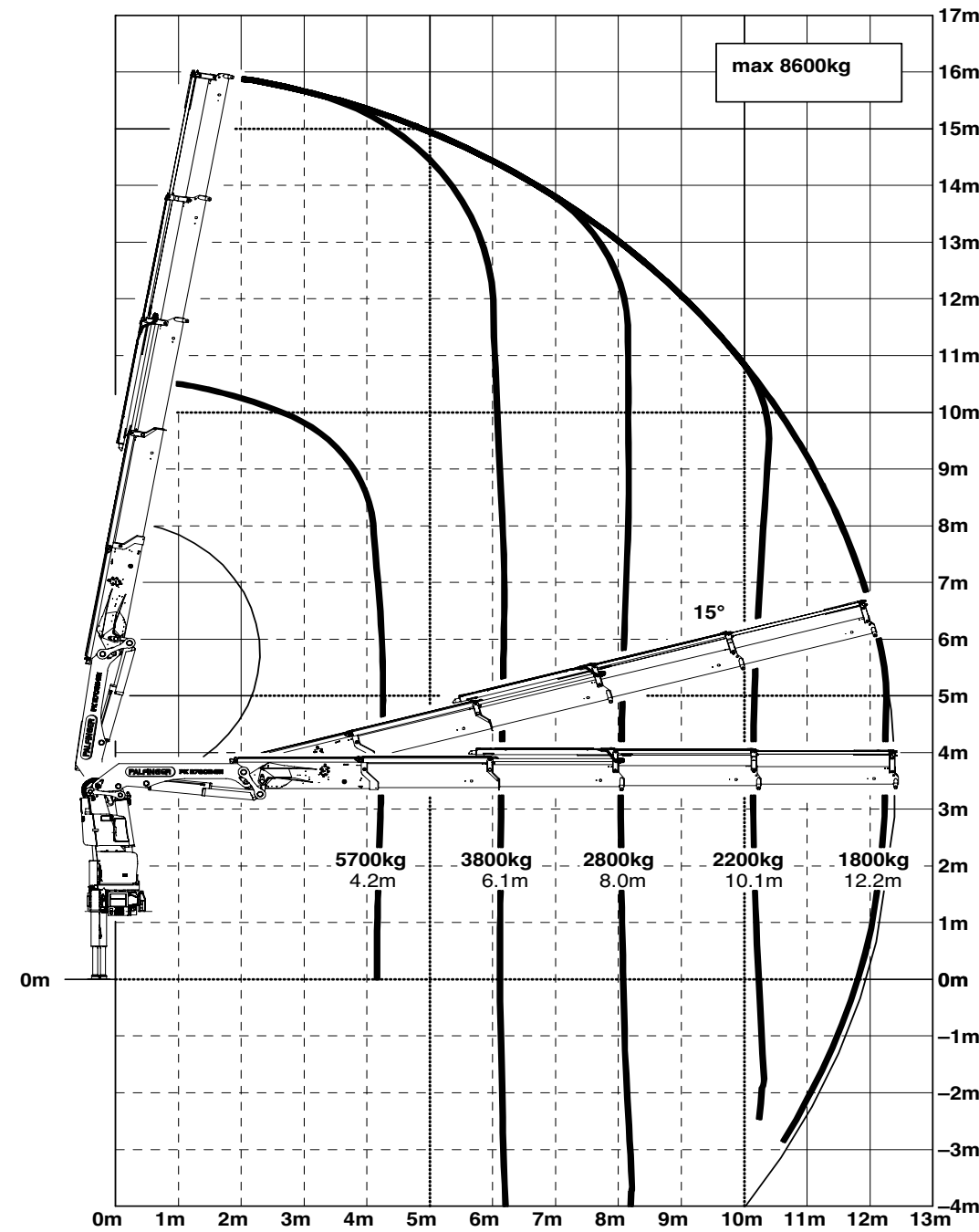
OVERVIEW

SPECIAL FEATURES

VIDEO

ABOUT US

C



		max.	8600 kg	18950 lbs
4.2 m	13' 9"	5700 kg	13600 lbs	
6.1 m	20' 0"	3800 kg	8400 lbs	
8.0 m	26' 3"	2800 kg	6200 lbs	
10.1 m	33' 2"	2200 kg	4800 lbs	
12.2 m	40' 0"	1800 kg	3950 lbs	
14.4 m*	47' 3"	1460 kg	3200 lbs	
16.6 m*	54' 6"	1180 kg	2600 lbs	

POSSIBLE USES

LOADER CRANE PK 27002 SH

HOME

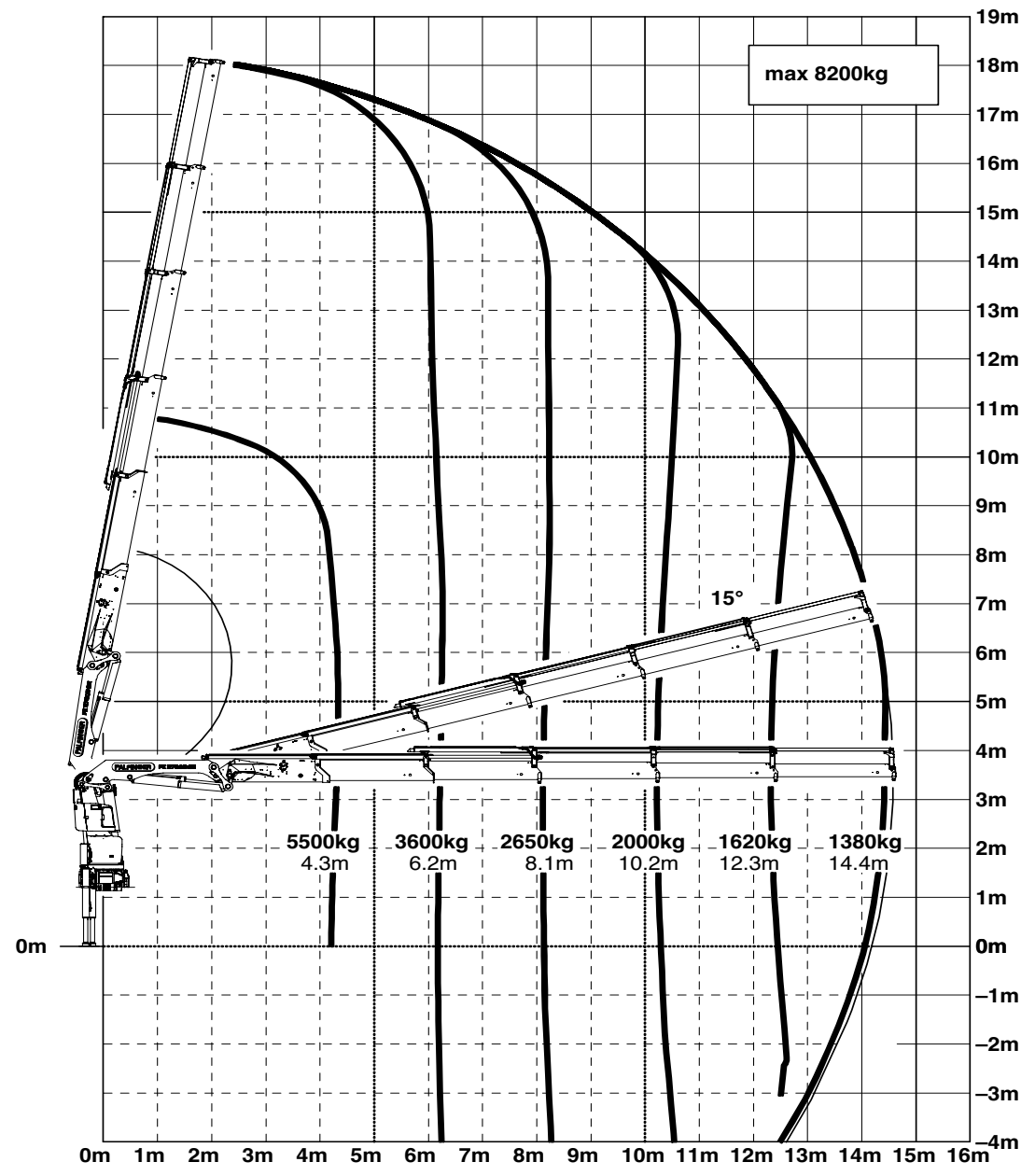
OVERVIEW

SPECIAL FEATURES

VIDEO

ABOUT US

D



max.		8200 kg	18070 lbs
4.3 m	14' 1"	5500 kg	12100 lbs
6.2 m	20' 4"	3600 kg	8000 lbs
8.1 m	26' 7"	2650 kg	5800 lbs
10.2 m	33' 6"	2000 kg	4450 lbs
12.3 m	40' 4"	1620 kg	3600 lbs
14.4 m	47' 3"	1380 kg	3050 lbs
16.7 m*	54' 9"	1120 kg	2450 lbs
18.8 m*	61' 8"	930 kg	2050 lbs

POSSIBLE USES

LOADER CRANE PK 27002 SH

HOME

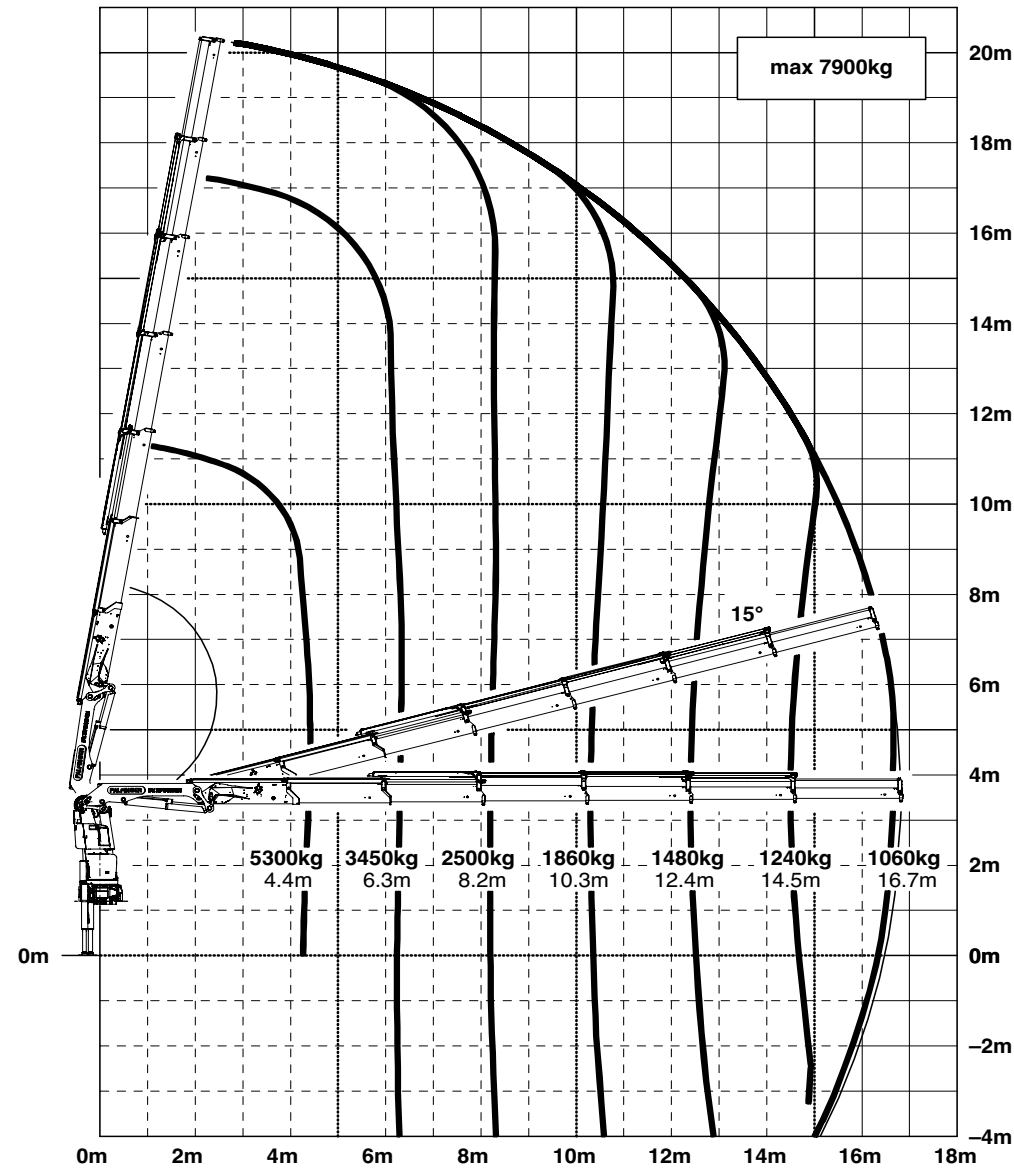
OVERVIEW

SPECIAL FEATURES

VIDEO

ABOUT US

E



POSSIBLE USES

max.		7900 kg	17400 lbs
4.4 m	14' 5"	5300 kg	11600 lbs
6.3 m	20' 8"	3450 kg	7600 lbs
8.2 m	26' 11"	2500 kg	5500 lbs
10.3 m	33' 10"	1860 kg	4100 lbs
12.4 m	40' 8"	1480 kg	3250 lbs
14.5 m	47' 7"	1240 kg	2700 lbs
16.7 m	54' 9"	1060 kg	2350 lbs
18.8 m*	61' 8"	880 kg	1940 lbs
21.0 m*	68' 11"	740 kg	1640 lbs

LOADER CRANE PK 27002 SH

HOME

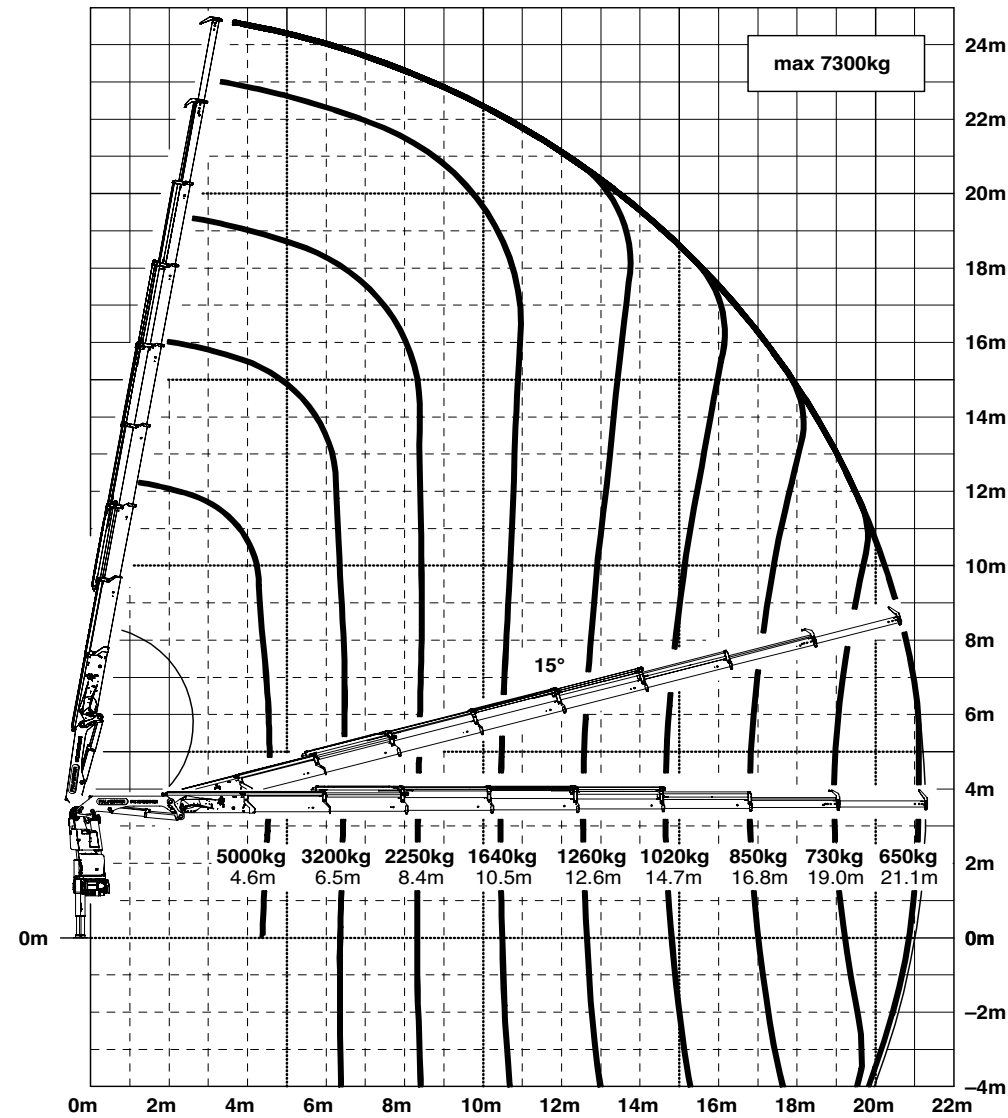
OVERVIEW

SPECIAL FEATURES

VIDEO

ABOUT US

G



max.			7300 kg	16090 lbs
4.6 m	15' 1"		4900 kg	10900 lbs
6.5 m	21' 4"		3200 kg	7000 lbs
8.4 m	27' 7"		2250 kg	5000 lbs
10.5 m	34' 5"		1640 kg	3600 lbs
12.6 m	41' 4"		1260 kg	2800 lbs
14.7 m	48' 3"		1020 kg	2250 lbs
16.8 m	55' 1"		850 kg	1860 lbs
19.0 m	62' 4"		730 kg	1600 lbs
21.1 m	69' 3"		650 kg	1420 lbs
23.1 m*	75' 9"		560 kg	1240 lbs

POSSIBLE USES

C PJ080C JV2 DPS PLUS

LOADER CRANE PK 27002 SH

HOME

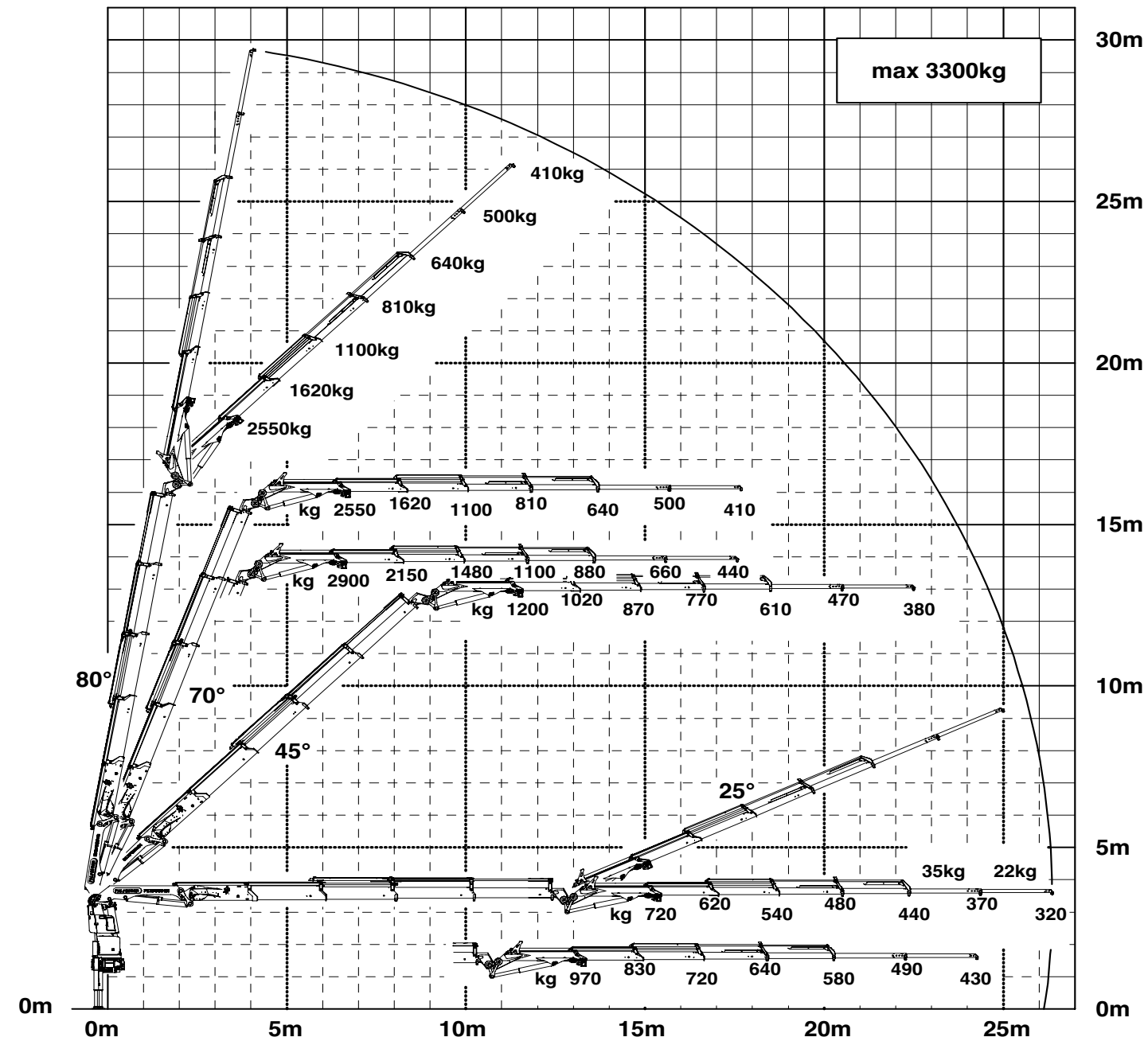
OVERVIEW

SPECIAL FEATURES

VIDEO

ABOUT US

POSSIBLE USES



LOADER CRANE
PK 27002 SH

POSSIBLE USES

LOADER CRANE PK 27002 SH

POSSIBLE USES



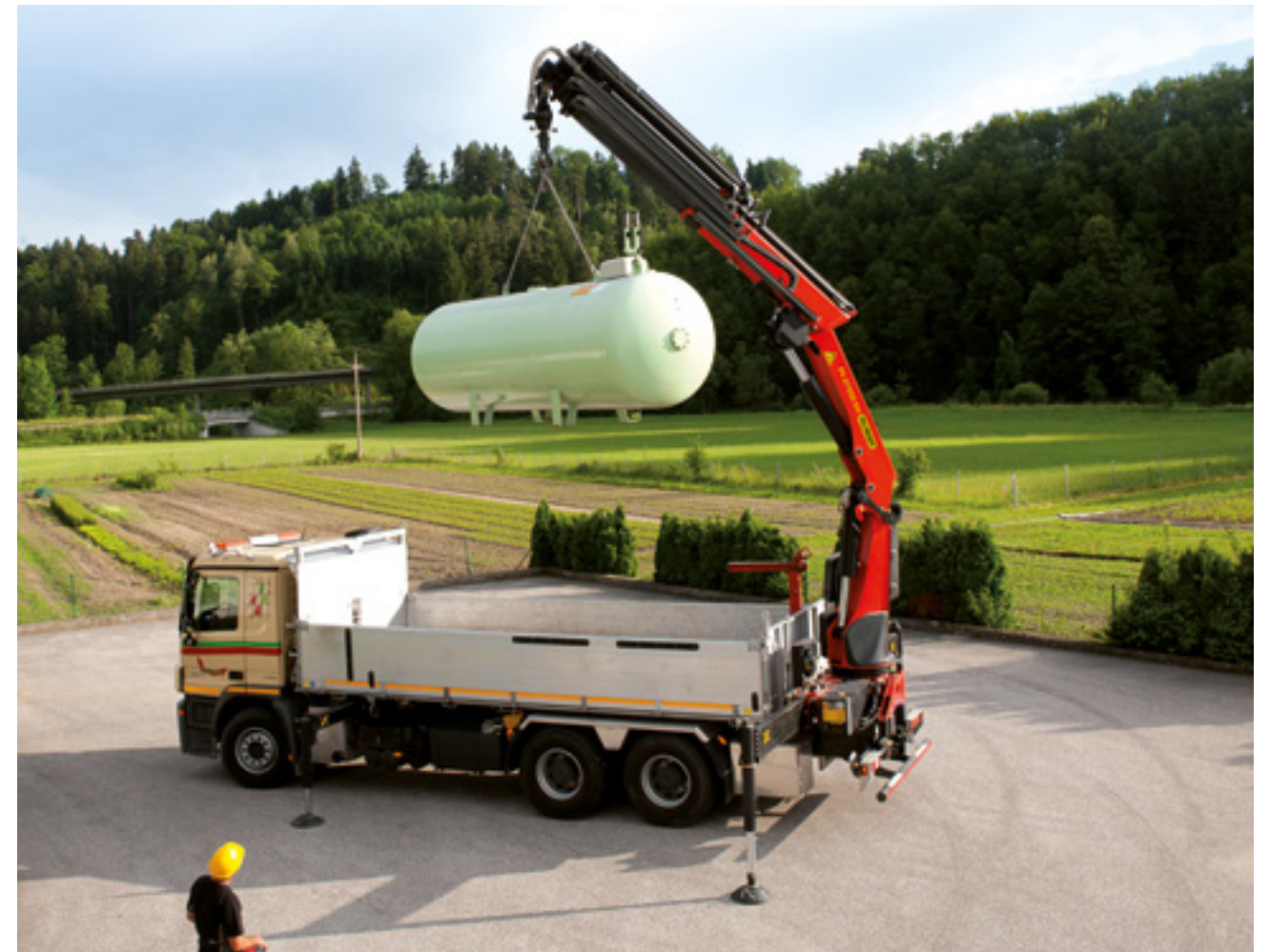
LOADER CRANE PK 27002 SH

POSSIBLE USES



LOADER CRANE PK 27002 SH

POSSIBLE USES



LOADER CRANE PK 27002 SH

POSSIBLE USES



LOADER CRANE PK 27002 SH

SPECIAL FEATURES



KTL protected	Paltronic 150 controlled	RRC Radio Remote Control operated	HPSC High Performance Stability Control monitored	AOS Active Oscillation Suppression inside	DPS plus Dual Power System activated
-------------------------	------------------------------------	--	--	--	---

LOADER CRANE PK 27002 SH

LOW-MAINTENANCE EXTENSION SYSTEM

Reduces service time
With sliding elements made of synthetic material and the high-quality KTL coating, this boom system significantly simplifies service performed by the operator. This saves time and money – and protects the environment.

LOW-MAINTENANCE EXTENSION SYSTEM

PLUS

SOFT STOP FUNCTION

CONTINUOUS SLEWING SYSTEM

HOME

OVERVIEW

SPECIAL FEATURES

VIDEO

ABOUT US



LOADER CRANE PK 27002 SH

POWER LINK PLUS

High variety of uses
With the 15-degree reverse linkage system, you can reach through low door openings and also work inside buildings. Heavy crane work – even in difficult conditions.

LOW-MAINTENANCE EXTENSION SYSTEM

PLUS

SOFT STOP FUNCTION

CONTINUOUS SLEWING SYSTEM

HOME

OVERVIEW

SPECIAL FEATURES

VIDEO

ABOUT US



LOADER CRANE PK 27002 SH

HOME

OVERVIEW

SPECIAL FEATURES

VIDEO

ABOUT US

CONTINUOUS SLEWING SYSTEM

Unrestricted movement
More efficient in operation due to faster loading cycles, since the crane can be slewed over a shorter distance. The crane works more efficiently and faster.

LOW-MAINTENANCE EXTENSION SYSTEM

PLUS

SOFT STOP FUNCTION

CONTINUOUS SLEWING SYSTEM



LOADER CRANE PK 27002 SH

SOFT STOP FUNCTION

More comfort and safety
The Soft Stop function is an electronic limit position damper. It causes gentle braking of all crane movements before the limit position is reached. Hence, jerky movements and load impacts can be avoided. The crane can be operated more gently and precisely.



LOW-MAINTENANCE EXTENSION SYSTEM

PLUS

SOFT STOP FUNCTION

CONTINUOUS SLEWING SYSTEM

HOME

OVERVIEW

SPECIAL FEATURES

VIDEO

ABOUT US

LOADER CRANE PK 27002 SH

HOME

OVERVIEW

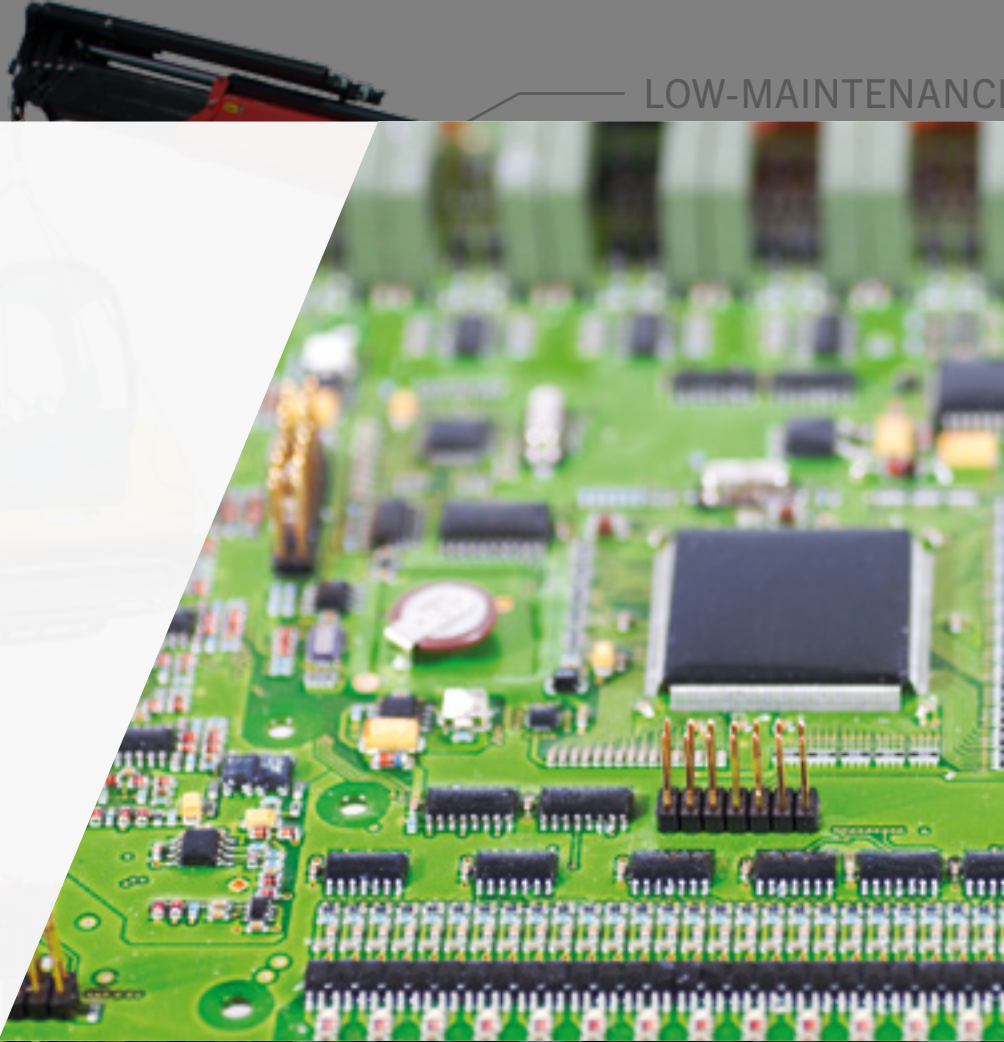
SPECIAL FEATURES

VIDEO

ABOUT US

S-HPLS

More lifting power when it is really needed
S-HPLS is one of the most important functions of the PALTRONIC 150. It is a fully automatic system for increasing the lifting power. Depending on the need, there is continuous adaptation of the lifting power and speed of the crane.



LOW-MAINTENANCE EXTENSION SYSTEM

PLUS

SOFT STOP FUNCTION

CONTINUOUS SLEWING SYSTEM

LOADER CRANE PK 27002 SH

ABOUT US

LIFETIME EXCELLENCE

Palfinger loader cranes are convincing due to their superior life-cycle performance. They are the most economical and also the most reliable over the entire product life. From solution finding to resale.

- **Better solutions**
- **Better efficiency**
- **Better ergonomics**
- **Higher availability**
- **More reliability**
- **Better ecology**
- **Higher serviceability**
- **Higher value retention**

