

PAL Pro 72

PALFINGER

LIFETIME EXCELLENCE

MECHANIC BODIES





SHELF / DIVIDER FEATURES

Formed and hemmed galvanized steel construction. Adjustable shelves in divided and non-divided styles.



TAILGATE DESIGN

Double panel 14" high slam tailgate with single hand latch and hidden hinge stop to 90 degrees.



BOOM SUPPORT

Optional fixed or adjustable non-marring boom support E coated black.

ENGINEERED TO TAKE THE **STRESS** **OUT** OF YOUR JOB AND YOUR PALFINGER CRANE BODY

HIGHLIGHTS



CRANE COMPARTMENT

Reinforced 1" top plate and 1/4" side plates. Hose reel mounting shelf and access. Door activated LED lighting.



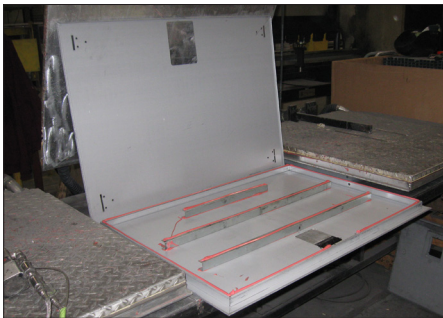
STABILIZERS

Standard power down stabilizer legs, with optional power or manual extend configurations.



WORK BENCH TAILSELF

30" work surface, with 5/16" smooth steel top-plate. Full width through compartment, with hitch receiver tube.



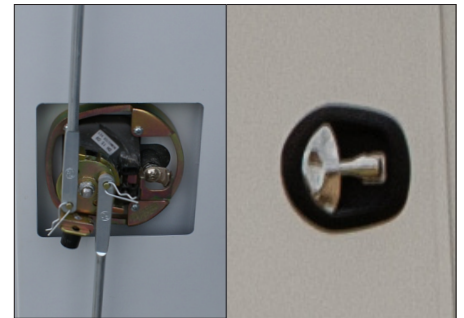
DOOR DESIGN

Double panel doors with internal C-channel stiffeners, adhered with structural adhesive.



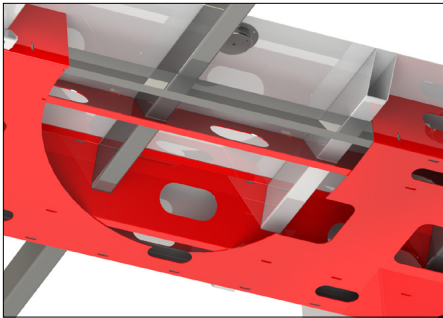
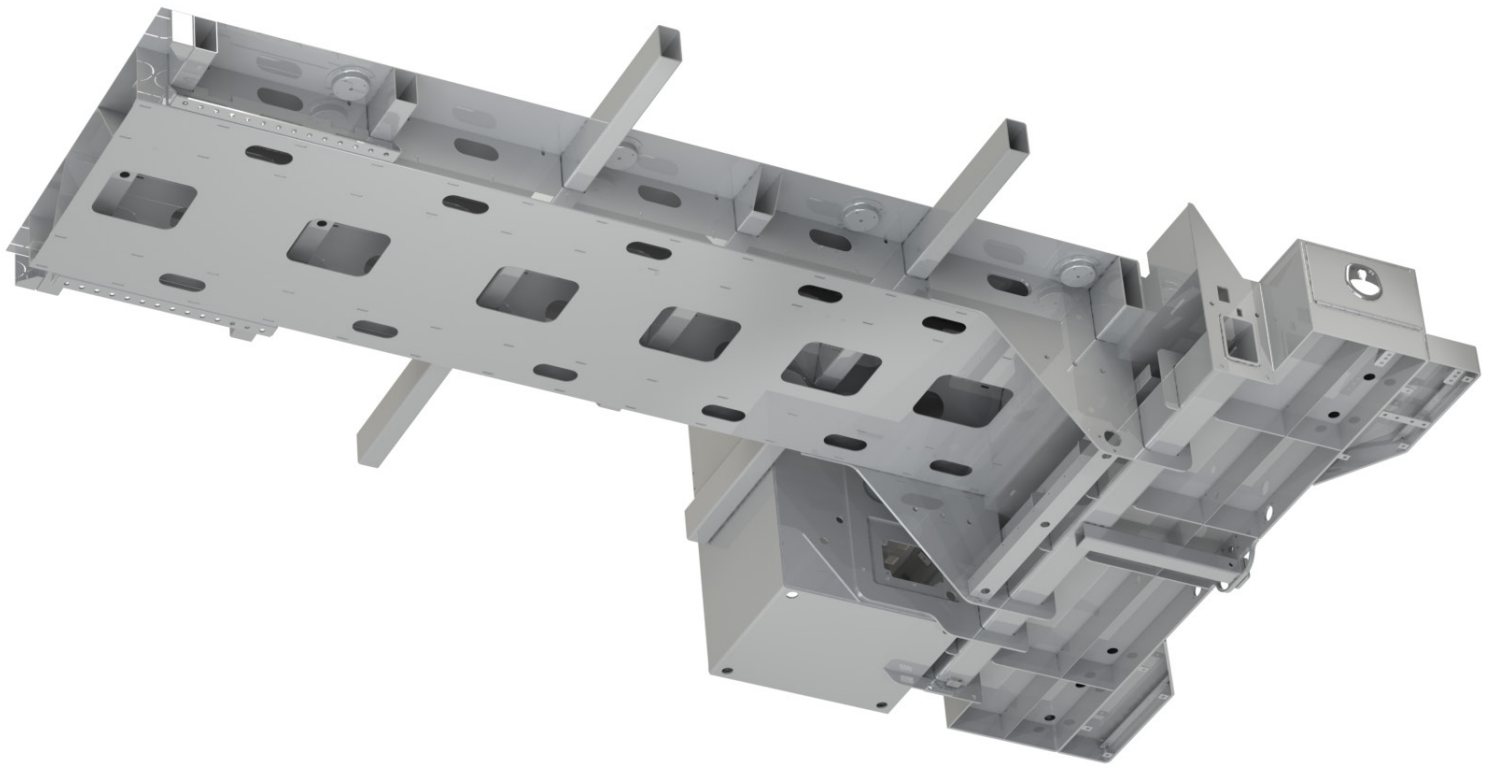
HINGES

Stainless-steel hinge with concealed leaves and full length rod type 7/16" diameter pin.



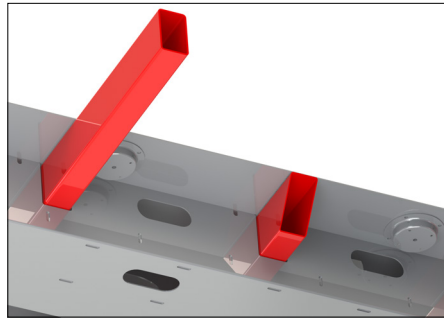
LATCHES

Folding T compression latch, with internal ring plate installation. Three point standard with 3/8" rods.



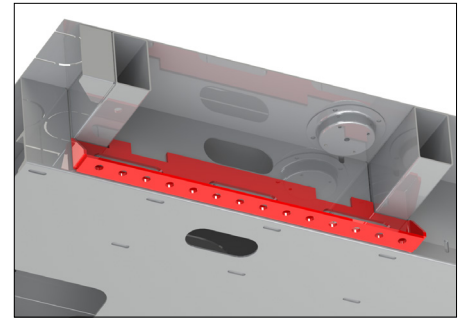
HYBRID TORSION BOX

Eliminates truck frame and side pack deflection, 10 ga grade 50 galvanealed steel construction.



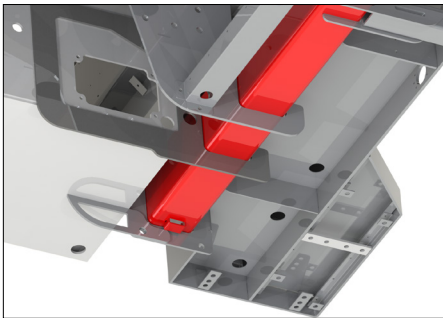
STRUCTURAL CROSS-MEMBERS

Tubular 3"x 5" structural steel, interlaced with torsion box.



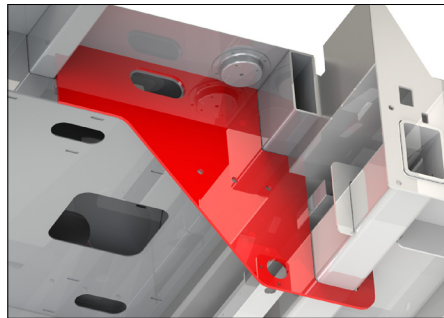
FRONT FLANGE BODY MOUNTS

Linear adjustable flange mounting system to tie body to chassis frame.



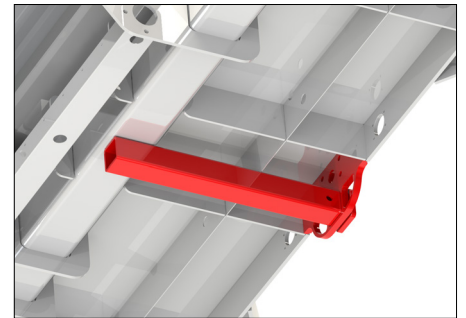
INTEGRATED OUTRIGGER HOUSING

Steel plates incorporate outrigger housing to torsional box and crane compartment.



REAR SHEAR PLATE BODY MOUNTS

Steel plates prevent lateral body shift on chassis. Providing additional support for crane loads.



INTEGRATED HITCH RECEIVER

2" I.D. tube receptacle and pintle hitch mounting plate attached directly to body substructure.

CONFIGURATIONS

PCB 72-11

- 11' Standard
- 52"H sidepacks
- 14" tailgate

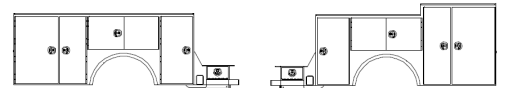


Streetside

Curbside

PCB 72-11CS

- 11' CS Raised
- 52"H sidepacks
- RF 1st compartments raised to 60"H
- RF 2nd compartments raised to 60"H
- 14" tailgate



Streetside

Curbside

PCB 72-11SS

- 11' SS Raised
- 52"H sidepacks
- SS 1st compartment raised to 60"H
- SS 2nd compartment raised to 60"H
- 14" tailgate

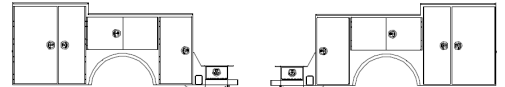


Streetside

Curbside

PCB 72-11SSCS

- 11' SCS Raised
- 52"H sidepacks
- SS & CS 1st raised to 60"H
- SS & CS 2nd raised to 60"H
- 14" tailgate

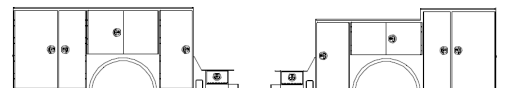


Streetside

Curbside

PCB 72-11SS60CS

- 11' CS Raised
- 52"H sidepacks
- CS 1st compartments raised to 60"H
- CS 2nd compartments raised to 60"H
- SS all raised 60"H
- 14" tailgate



Streetside

Curbside

PCB 72-14SSCS

- 14' SCS Raised
- 52"H sidepacks
- SS/CS 1st compartments raised to 60"H
- SS/CS 2nd compartments raised to 60"H
- 14" tailgate

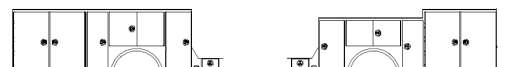


Streetside

Curbside

PCB 72-14SS60CS

- 14' CS Raised
- 52"H sidepacks
- CS 1st compartment raised 60"H
- CS 2nd compartment raised 60"H
- SS all raised 60"H
- 14" tailgate



Streetside

Curbside



Omaha Standard PALFINGER
 3501 S. 11th Street
 COUNCIL BLUFFS, IA 51501
 T. 1 800 279 2201
 F. 1 712 328 8383

WWW.PALFINGER.COM



Download the PALFINGER Mobile App for more information about PALFINGER products in North America!



PALFINGER reserves the right to modify, change or revise published specifications and furnish products so altered without prior notice.